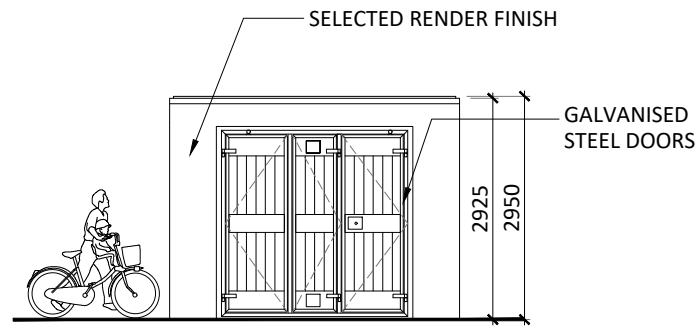
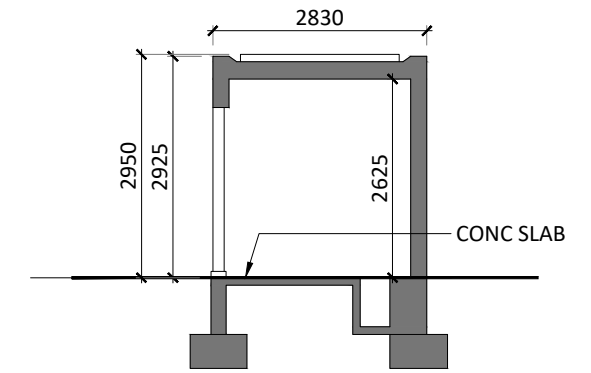


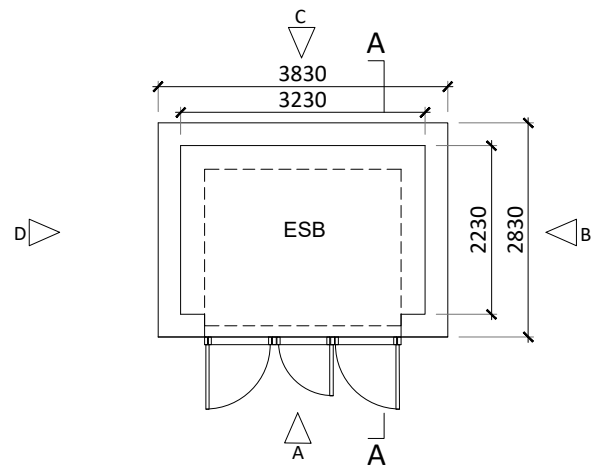
Plan



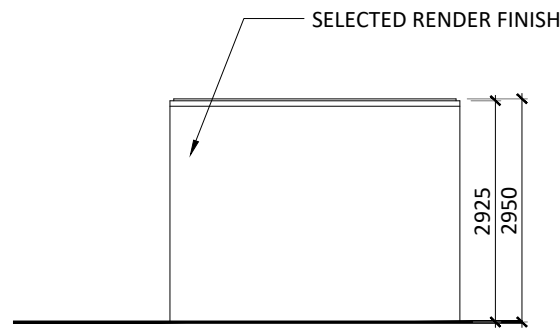
Elevation A



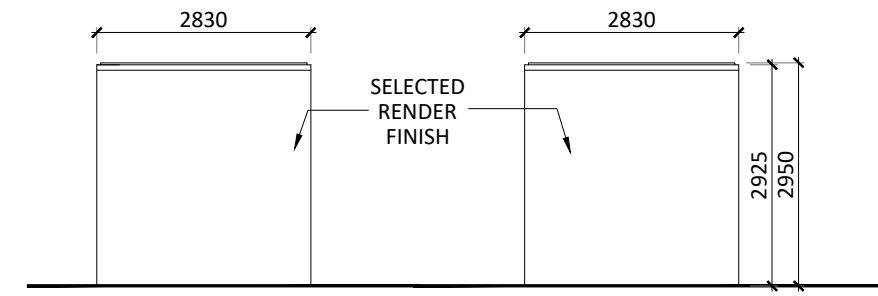
Section A-A



Roof Plan

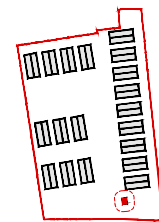


Elevation C



Elevation D

Elevation B



Revision Description	Date	Rev. No.	Issued by
Issued for Planning	13-06-2024	C01	MW
Any reference to fire safety design or performance is presented for coordination purposes only. Refer only to the granted Fire Safety Certificate, and fire consultant's information for fire safety design, specification and performance.			
Figured dimensions only to be used. This drawing is copyright of O'Mahony Pike Architects Ltd. All information is shared as per approved use in accordance with ISO19650-2:2018, Table 5; Standard Codes for Suitability of Models and Documents and the BEP. If the 'Status' field is empty, this information has been shared at 50 - WIP.			



architecture | urban design
 email: info@omahonypike.com
 tel: +353 1 202 7400
 fax: +353 1 283 0822
 www.omahonypike.com

Dublin
 The Chapel
 Mount St. Anne's
 Milltown, Dublin 6
 D06 XN52 Ireland

Cork
 One South Mall
 Cork City
 Co. Cork
 T12 CCN3 Ireland

Project Code: ---
 Project Lead: AS
 Drawn By: MW
 Job No.: 20001B
 Purpose: Issued for Planning

Scale @ A3: 1:100
 Date Printed: 13-06-2024
 Current Rev.: C01
 Status: A3

Project: Estuary Way
 Location: St. Michael's Drive, Mahon, Cork
 Client: Cork City Council

Drawing Title: ESB Substation
 Drawing No.: 20001B-OMP-ZZ-ZZ-DR-A-1020