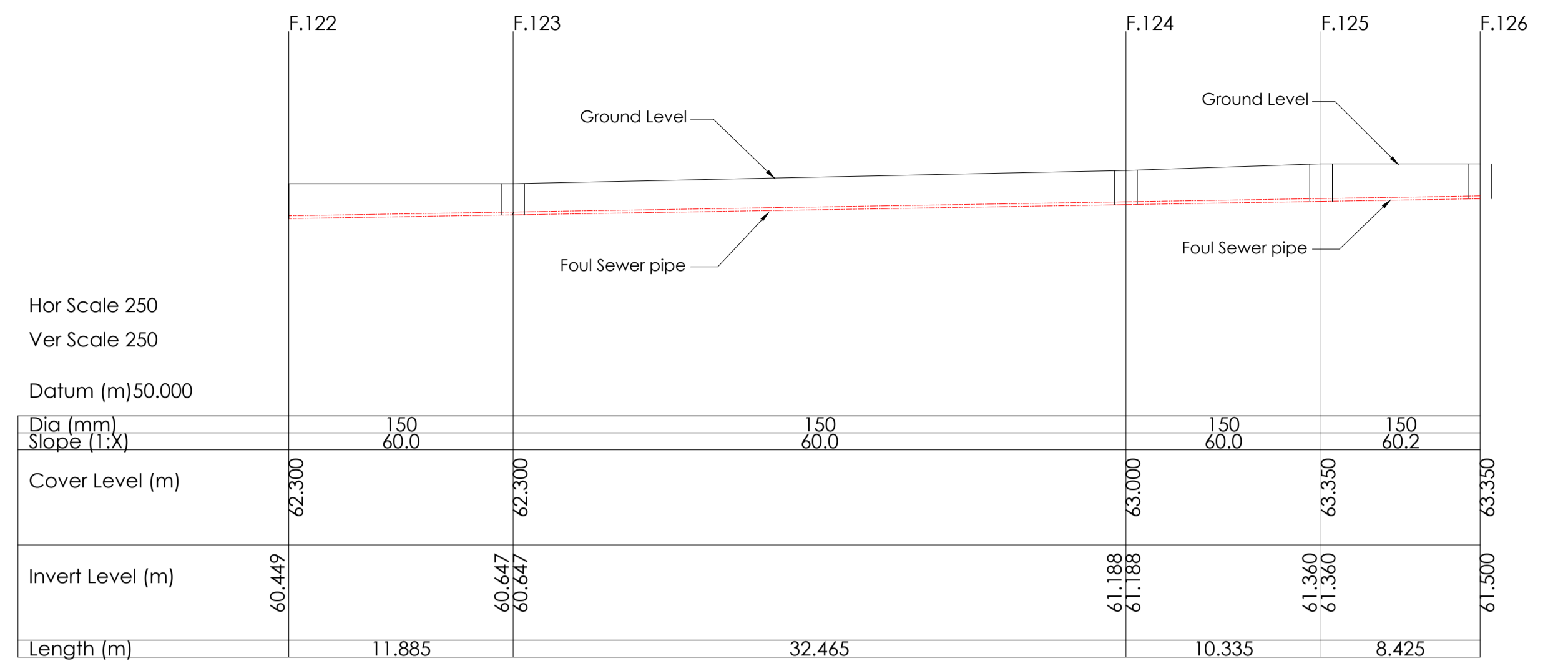
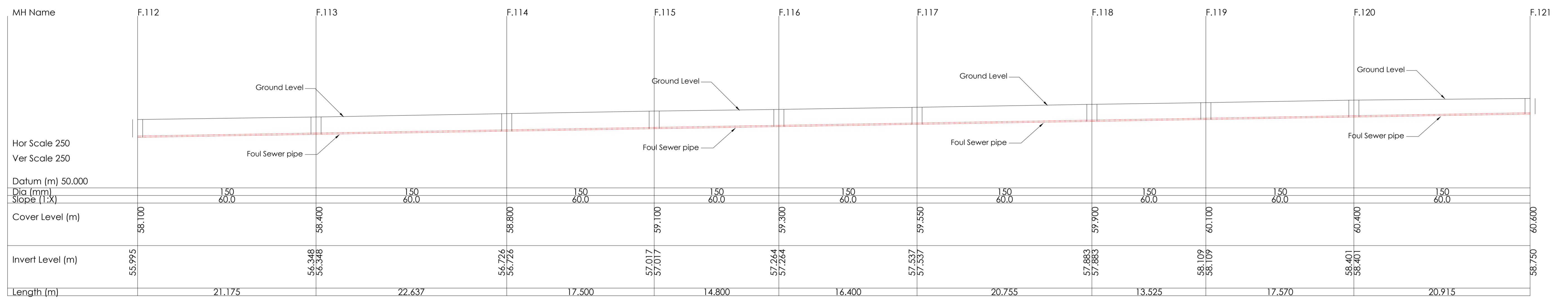


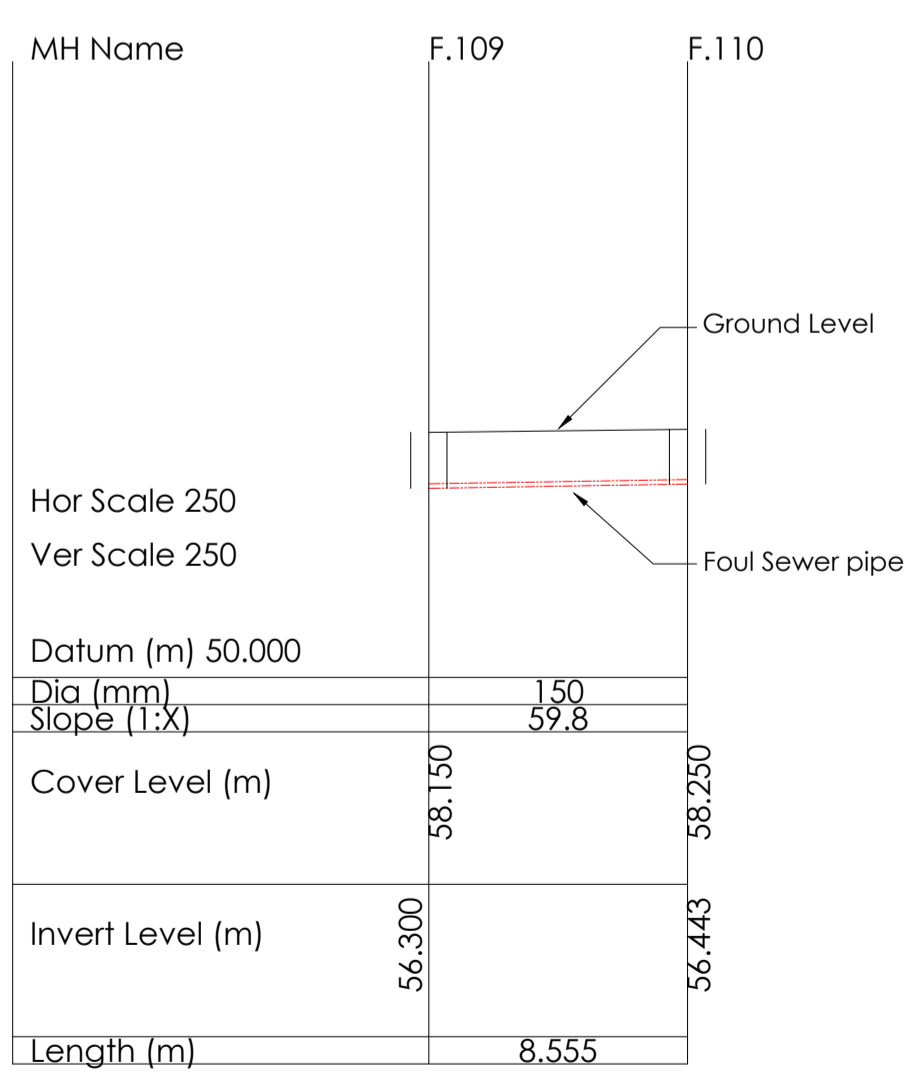
Longitudinal Foul Sewer Section MH's F.102 - F.112
Scale 1:250



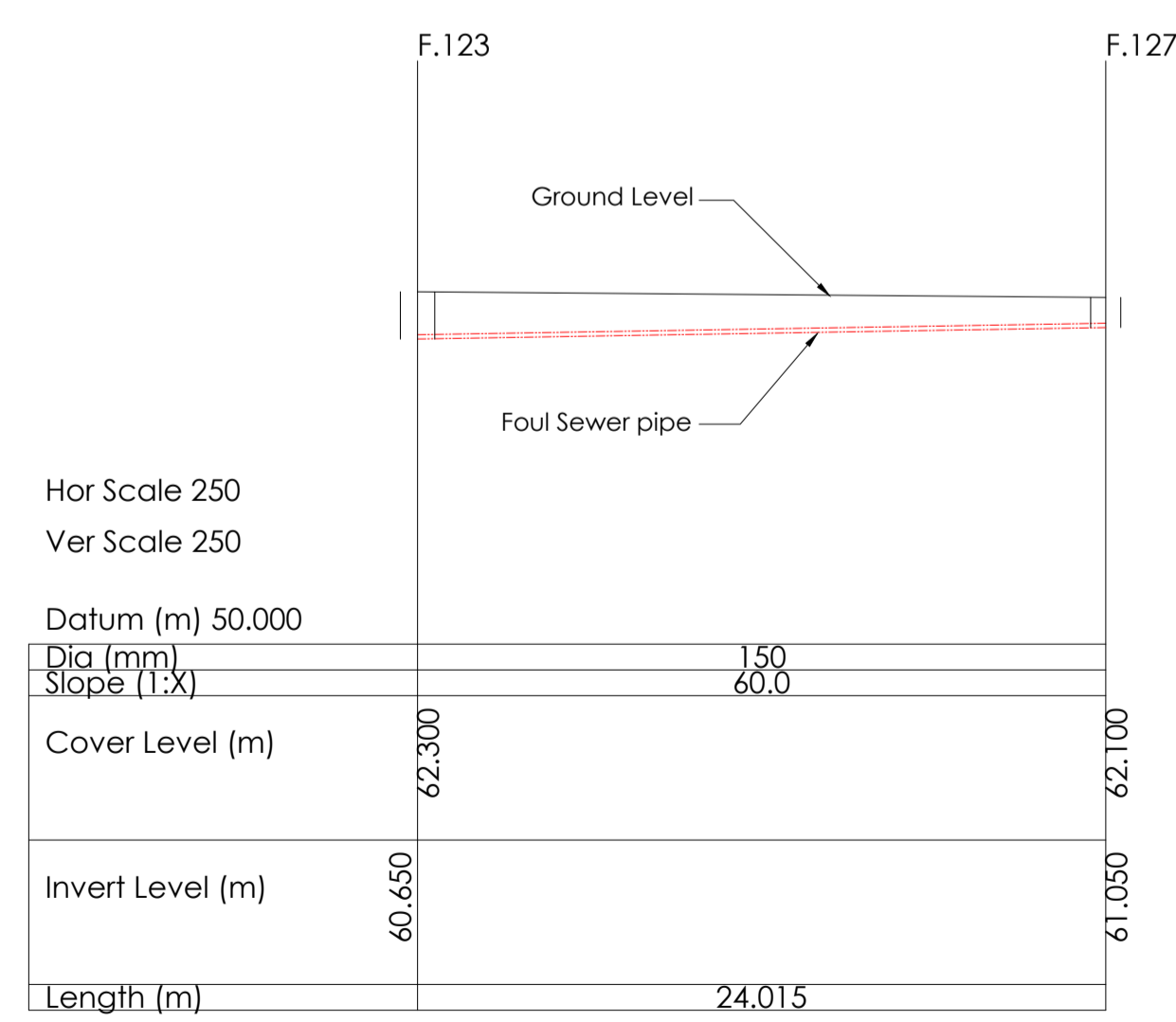
Longitudinal Foul Sewer Section MH's F.122 - F.126
Scale 1:250



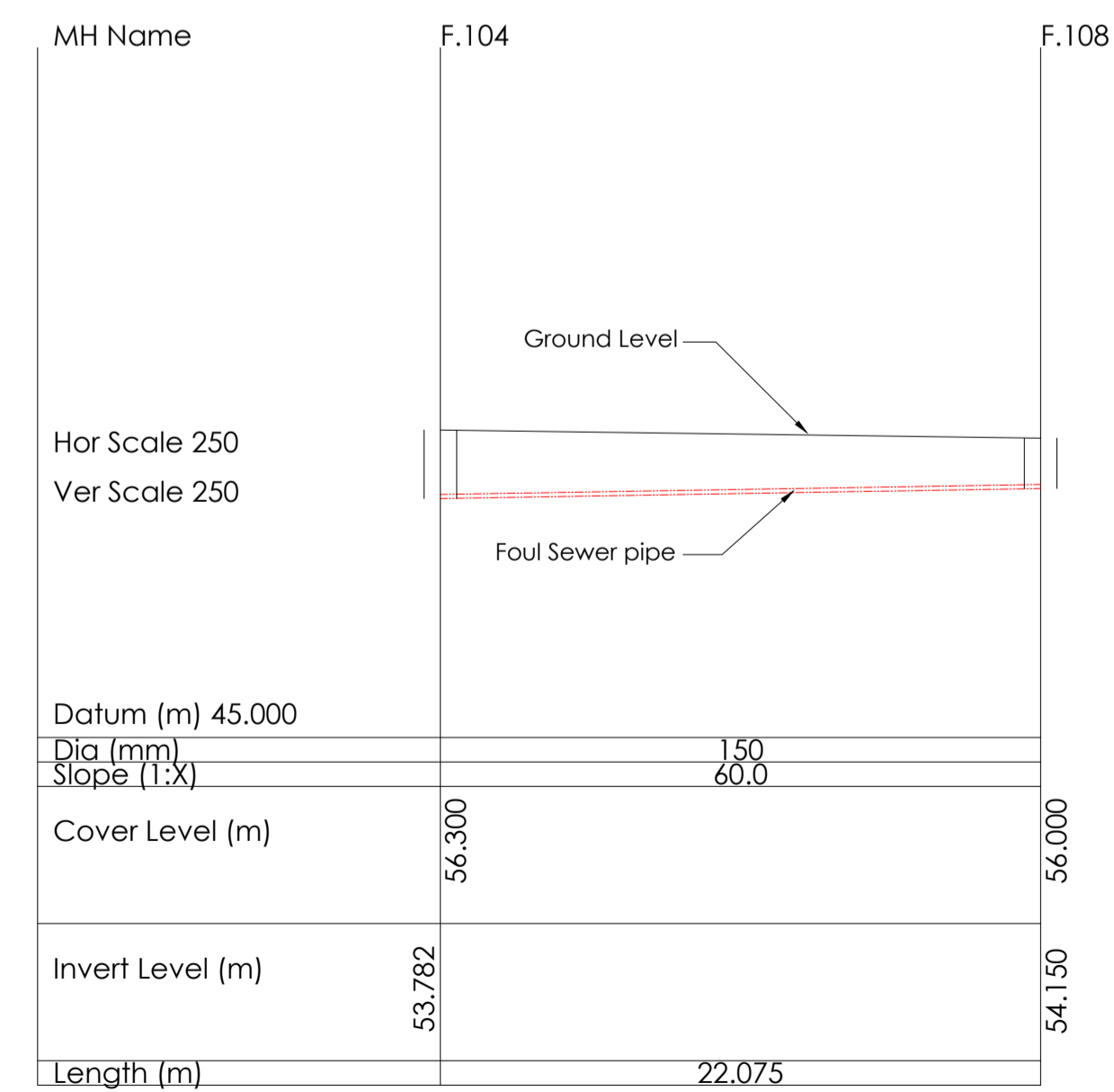
Longitudinal Foul Sewer Section MH's F.112 - F.121
Scale 1:250



Longitudinal Foul Sewer Section MH's F.109 - F.110
Scale 1:250



Longitudinal Foul Sewer Section MH's F.123 - F.127
Scale 1:250



Longitudinal Foul Sewer Section MH's F.104 - F.108
Scale 1:250



Joyce House
Barrack Square
Ballincollig
Cork
P31 KP84
021 4871781
info@dosa.ie
www.dosa.ie

© THIS DRAWING IS COPYRIGHT. NO PART OF THIS DOCUMENT MAY BE REPRODUCED OR TRANSMITTED IN ANY FORM OR STORED IN ANY RETRIEVAL SYSTEM OF ANY NATURE WITHOUT THE WRITTEN PERMISSION OF THE ENGINEER AS COPYRIGHT HOLDER EXCEPT AS AGREED FOR USE ON THE PROJECT FOR WHICH THE DOCUMENT WAS ORIGINALLY ISSUED.

REV.	A	K.M.	L.O.T.	L.O.T.	25.07.24	Issued for Planning
DRAWN		CHKD		APPRVD		DETAILS

CLIENT	
PROJECT	Residential Development at Kilnap, Old Whitechurch Road

DRAWING TITLE	Proposed Foul Sewer Longitudinal Sections (1 of 2)				
SHEET	A1	SCALE	1:250		
PROJECT NO.	6254	DRAWING NO.	0060	STATUS/ISSUE	A