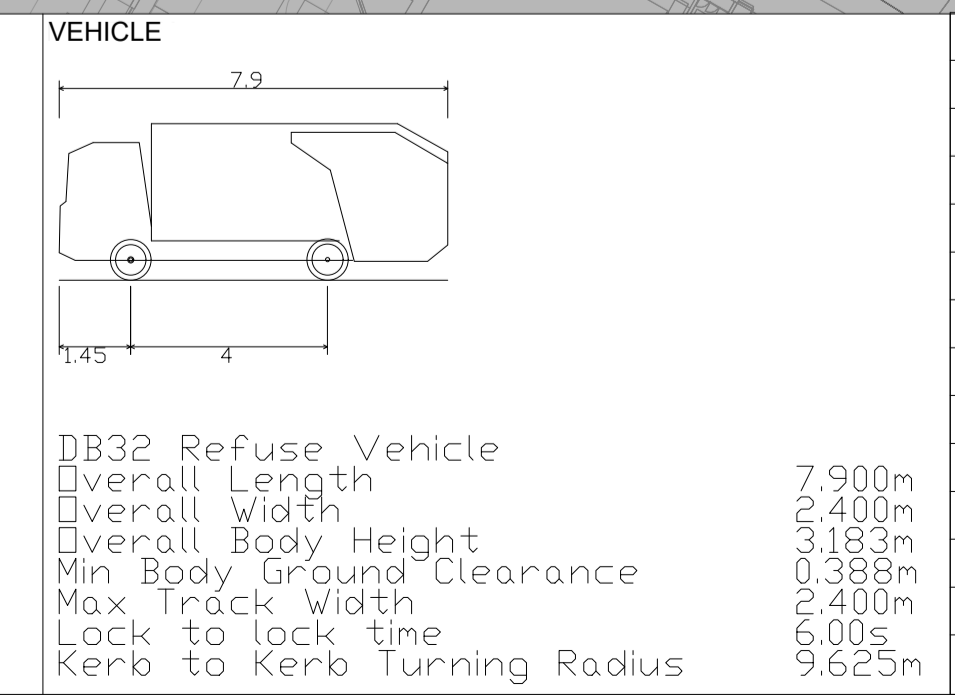


100
0 10
Millimetres

LEGEND:
- - - PHASE BOUNDARY



- GENERAL NOTES**
1. ALL DIMENSIONS ARE IN MILLIMETRES UNLESS NOTED OTHERWISE
 2. ONLY WRITTEN DIMENSIONS SHALL BE USED. NO DIMENSIONS SHALL BE SCALED FROM THE DRAWINGS
 3. ALL LEVELS ARE IN METRES AND ARE TO MALIN HEAD DATUM
 4. ALL COORDINATES ARE IN METRES AND ARE TO IRISH TRANSVERSE MERCATOR
 5. DRAWINGS ARE TO BE READ IN CONJUNCTION WITH THE SPECIFICATION



Rev.	Date	Description	By	Rev'd	Ch'd	App'd
C01	08.04.26	ISSUED FOR PLANNING	AF	PP	MB	MOS
C00	27.03.26	ISSUED FOR PLANNING	AF	PP	MB	MOS

Drawing Status: **FOR PLANNING** Suitability: **A2**

AtkinsRéalis
 DUBLIN | CORK | GALWAY | DUNDALK
 ATKINS HOUSE, 150 AIRSIDE BUSINESS PARK,
 SWORDS, DUBLIN, K67 K5W4.
 Tel : +353 1 810 8000 Email : info.ie@atkinsrealis.com

Client: **CORK CITY COUNCIL**

Project Title		CNWQR - PHASE 3C			
Drawing Title		PHASE 3C PROPOSED AUTOTRACKING LAYOUT REFUSE TRUCK			
Scale	Drawn	Checked	Reviewed	Authorised	
1:500	AF	PP	MB	MOS	
Original Size	Date	Date	Date	Date	
A1	27.03.26	27.03.26	27.03.26	27.03.26	
Drawing Number				Revision	
P3C-ZZZ-ZZZ-DR-ATK-CE-950751				C01	

P:\EOD\A\jobstore\0119170\06_Dwg-Graphics\62_P3C\61_AutoCad\P3C-ZZZ-ZZZ-DR-ATK-CE-950750.dwg

Atkins Project Number: 100119710