

100
0 10
Millimetres

LEGEND:
- - - PHASE BOUNDARY



ED

PHASE 1C
(To be Completed in 2025)
**PHASE 1C
UNDER CONSTRUCTION**

**PHASE 1B
CONSTRUCTED**

**PHASE 3B
UNDER CONSTRUCTION**

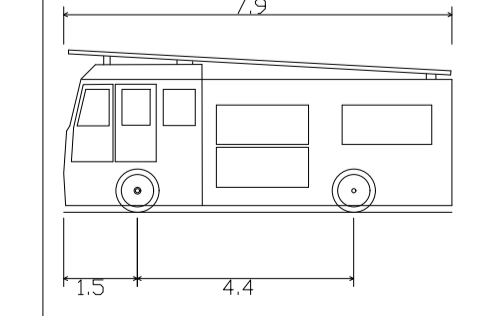
**PHASE 4F
FUTURE DEVELOPMENT**

**PHASE 3A
FUTURE DEVELOPMENT**

**PHASE 4A
(Commences in 2025)
FUTURE DEVELOPMENT**

- GENERAL NOTES**
1. ALL DIMENSIONS ARE IN MILLIMETRES UNLESS NOTED OTHERWISE
 2. ONLY WRITTEN DIMENSIONS SHALL BE USED. NO DIMENSIONS SHALL BE SCALED FROM THE DRAWINGS
 3. ALL LEVELS ARE IN METRES AND ARE TO MALIN HEAD DATUM
 4. ALL COORDINATES ARE IN METRES AND ARE TO IRISH TRANSVERSE MERCATOR
 5. DRAWINGS ARE TO BE READ IN CONJUNCTION WITH THE SPECIFICATION

VEHICLE



Pumping Appliance	7,900m
Overall Length	7,900m
Overall Width	1,500m
Min Body Ground Clearance	4,400m
Track Width	4,000m
Lock to lock time	4,000s
Kerb to Kerb Turning Radius	7,750m

Rev.	Date	Description	By	Rev'd	Ch'd	App'd
C01	08.04.26	ISSUED FOR PLANNING	AF	PP	MB	MOS
C00	27.03.26	ISSUED FOR PLANNING	AF	PP	MB	MOS

Drawing Status: **FOR PLANNING** Suitability: **A2**

AtkinsRéalis
DUBLIN | CORK | GALWAY | DUNDALK
ATKINS HOUSE, 150 AIRSIDE BUSINESS PARK, SWORDS, DUBLIN, K67 K5W4.
Tel : +353 1 810 8000 Email : info.ie@atkinsrealis.com

Client: **CORK CITY COUNCIL**

Project Title		CNWQR - PHASE 3C			
Drawing Title		PHASE 3C PROPOSED AUTOTRACKING LAYOUT PUMPING APPLIANCE			
Scale	Drawn	Checked	Reviewed	Authorised	
1:500	AF	PP	MB	MOS	
Original Size	Date	Date	Date	Date	
A1	27.03.26	27.03.26	27.03.26	27.03.26	
Drawing Number	Revision				
P3C-ZZZ-ZZZ-DR-ATK-CE-950752	C01				

P:\EQA\Jobstore\0119170\06_Dwg-Graphics\62_P3C\61_AutoCad\P3C-ZZZ-ZZZ-DR-ATK-CE-950752.dwg

Atkins Project Number: 100119710