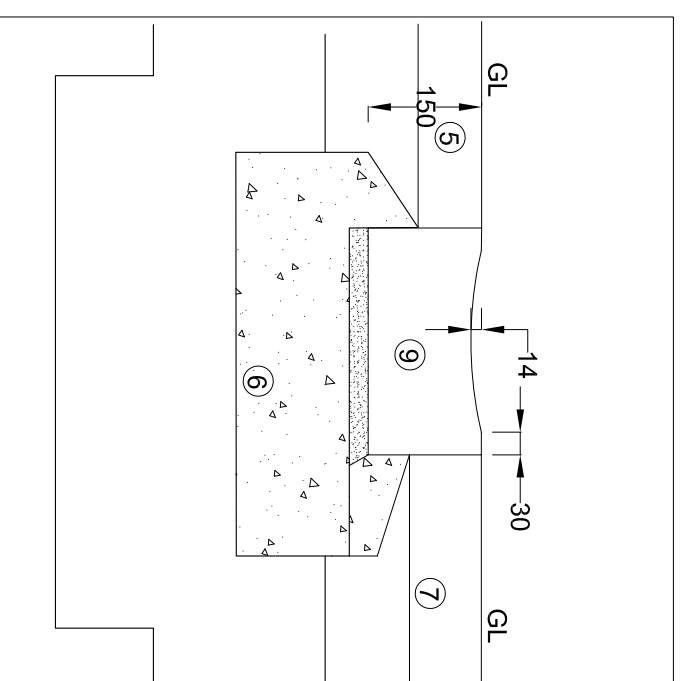
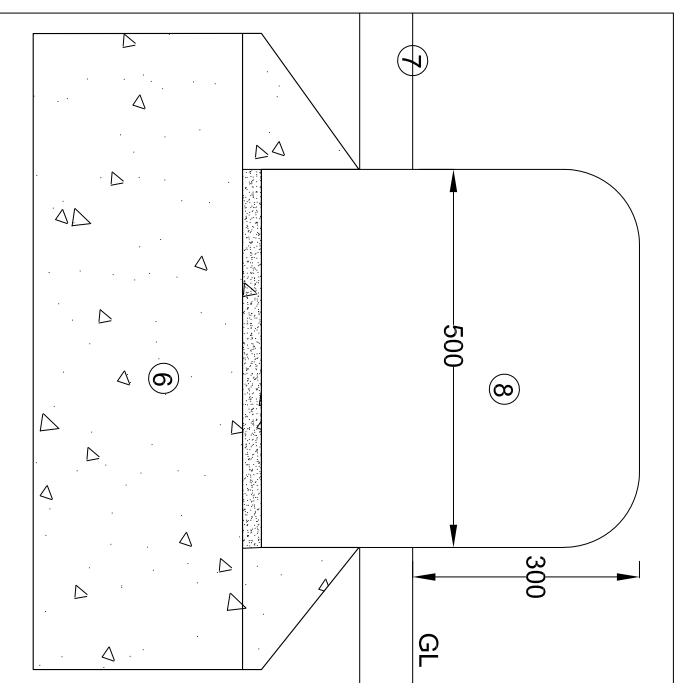
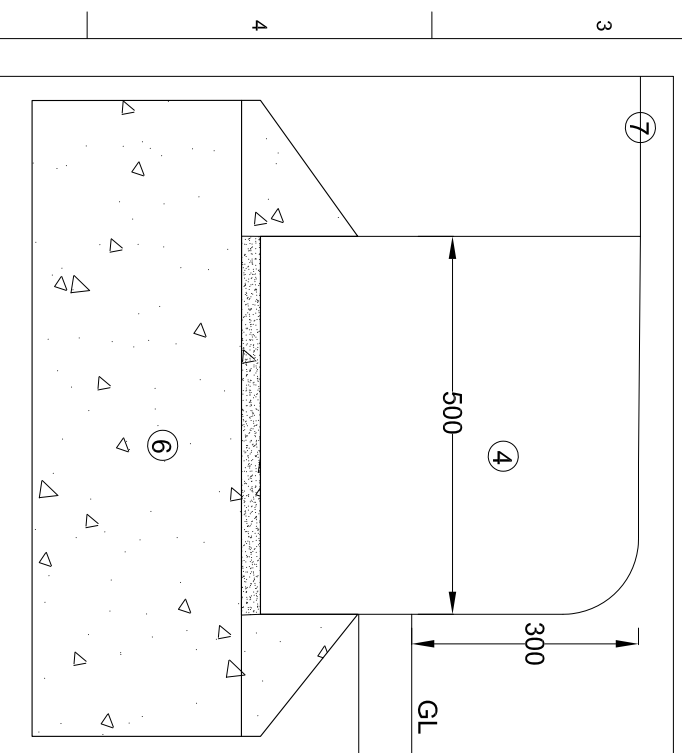


200mm wide Road Kerb
(125mm Upstand)

200mm wide Flush Road Kerb
(6mm Upstand)

75mm wide Flush Pin Edge



Single Sided Step
(Plaza)

Double Sided Step
(Plaza)

300mm wide Drainage Channel

1. 200mm wide (125mm upstand) x 275 deep x RL (600-1000mm), Bushhammered (G684 Preta Johann) road kerb, with 20mm bull nose front edge.
2. 200 wide x 255mm deep x RL (600-1000mm) long, Bushhammered (G684 Preta Johann) flush kerb to road paving interfaces and vehicular service access, with 20mm bull nose front edge.
3. Flush Stone pin edge. Bushhammered (G684 Preta Johann), 50mm wide x 150 deep x RL (600-1000mm) long.
4. Single Sided Granite Large Steps 500mm wide x 1000mm long x 400-550mm depth. 100mm radius to front edge
5. Existing carriageway to be reinstated over 300-500mm.
6. Concrete foundation and haunch to engineers specification.
7. Paving / adjacent surfaces refer to layout drawings for type and detail drawings / specification.
8. Double Sided Granite Large Steps 500mm wide x 1000mm long x 400-550mm depth. 100mm radius to front edges.
9. 300mm wide x 150mm deep x 900mm long dished drainage channel. Bushhammered (G684 Preta Johann) to all exposed edges.

Notes:
Refer to all layout information
All unexposed stone faces and ends to be diamond sawn with clean arises and pencil round edges.

Planning Issue			
P01	12/02/18	DM	AM
Rev	Date	By	Chkd
			Appld

ARUP
One Albert Quay
Cork, Ireland
Tel +353 (0)21 427 7670 Fax +353 (0)21 427 2345
www.arup.com

the paulhogarth company

Project Title Morrison's Island Public Realm
and Flood Defence Project

Drawing Title
Kerbs Typical Details

Client
Cork City Council
City Hall
Anglesea street
Cork



Scale at A3	1:10
Role	Civil Infrastructure
Subsidiary	Part 8 Planning
Arup Job No	230436-00
Name	MOR-5002
Rev	P01