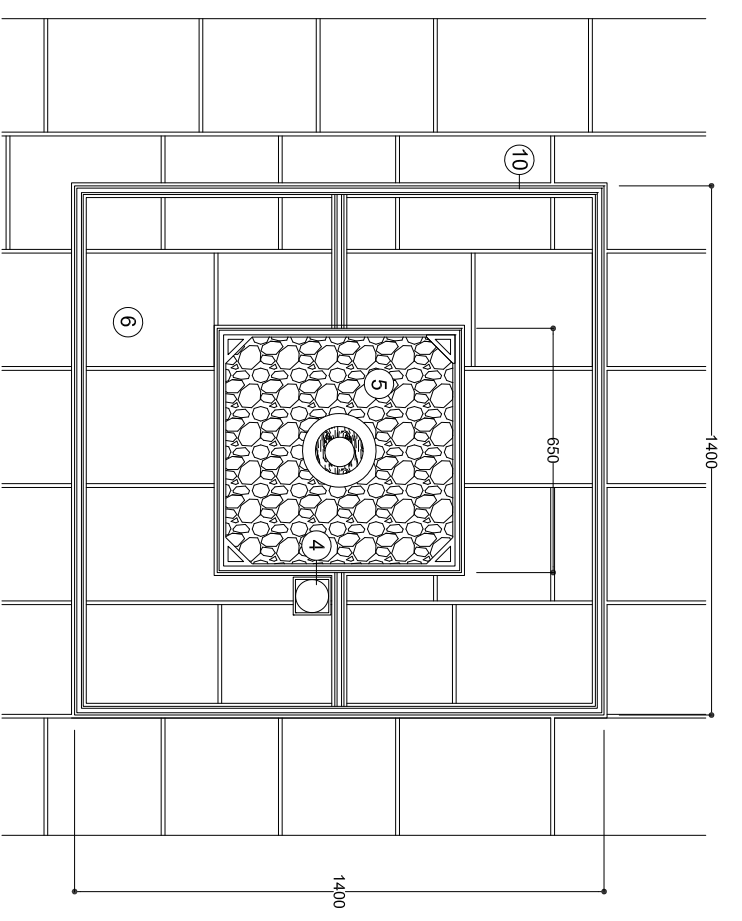
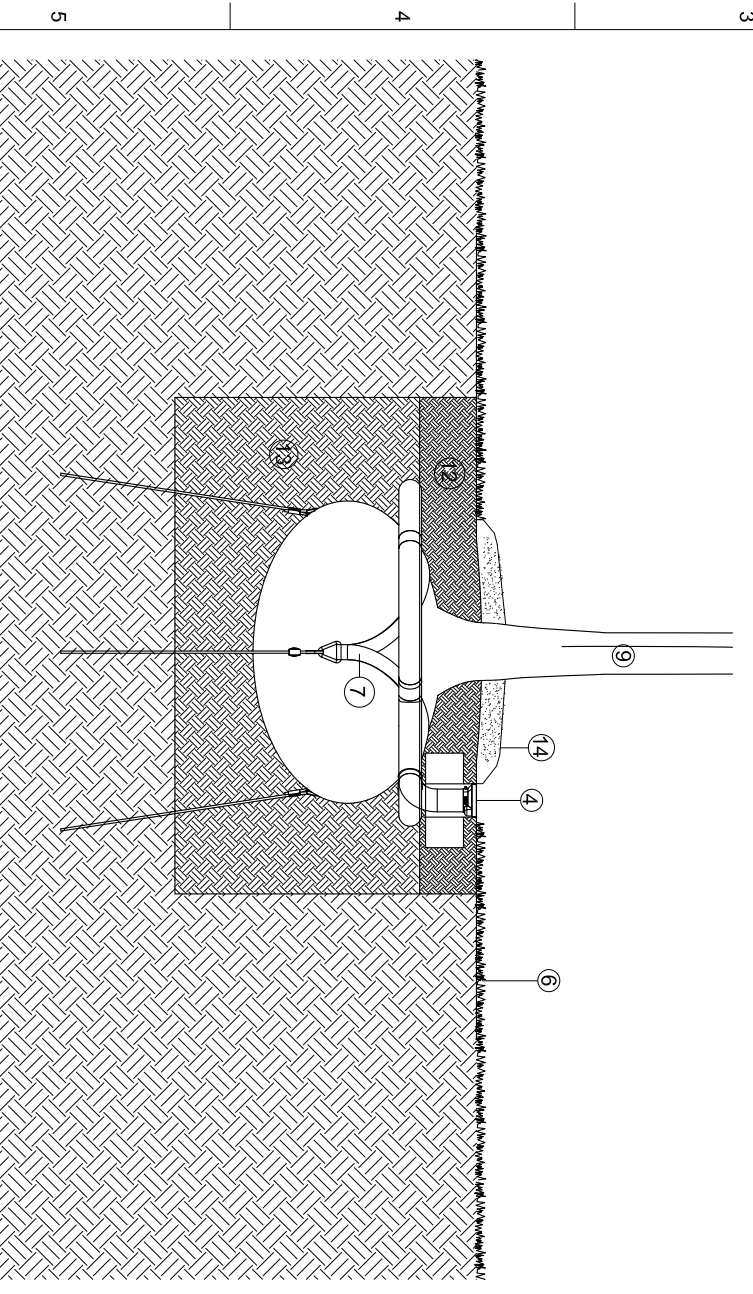


Section through Tree in Paving



Plan - Tree Grille in Paving

- Key**
1. Modular root barrier system
 2. Geonet
 3. Urban Rootspace structure
 4. Aeration / Irrigation system
 5. 20MM deep porous bound stone surfacing laid on loose stone
 6. Recessed tree grille
 7. Strapped large anchor system with drive in heavy-duty composite anchors.
 8. Concrete foundation
 9. Proposed Mature Tree.
 10. Recessed tree grille
 11. Tree soil
 12. Tree soil
 13. Tree soil
 14. Bark Mulch



Section through Tree in Soft Landscape

Planning Issue				
P01	12/02/18	DM	AM	AH
Rev	Date	By	Chkd	Appt

ARUP
 One Albert Quay
 Cork, Ireland
 Tel +353 (0)21 427 7670 Fax +353 (0)21 427 2345
 www.arup.com

the paulhogarth company

Project Title **Morrison's Island Public Realm and Flood Defence Project**

Drawing Title **Typical Tree Pits**

Client **Cork City Council**
 City Hall
 Anglessea street
 Cork



Scale at A3 1:20

Role	Civil Infrastructure	Rev	
Subsidiary	Part 8 Planning		
Arup Job No	230436-00	Rev	P01
Name	MOR-5006		