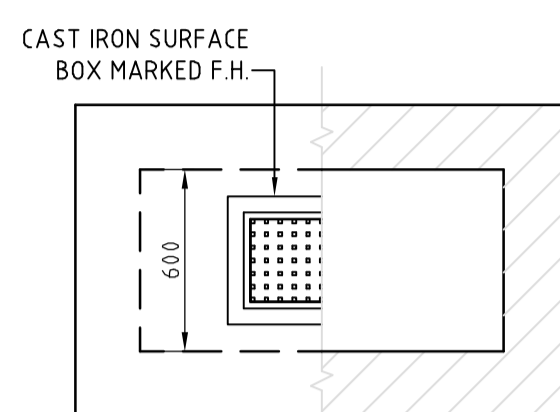
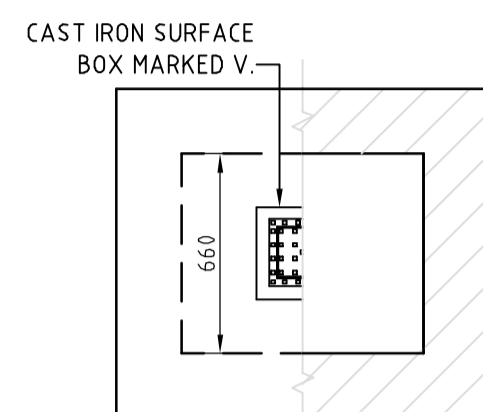


GENERAL NOTES:

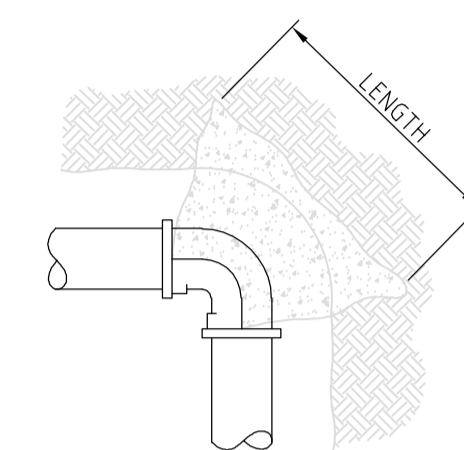
- DRAWINGS TO BE READ IN CONJUNCTION WITH ARCHITECTS DRAWINGS.
- ALL DIMENSIONS IN MILLIMETRES.
- SETTING OUT DETAILS TO BE OBTAINED FROM ARCHITECTS DRAWINGS.
- ARCHITECT TO BE INFORMED OF ANY DISCREPANCIES IMMEDIATELY.
- ENGINEER TO BE NOTIFIED OF ANY STRUCTURAL CONC. POURS SO THEY MAY BE INSPECTED AND PASSED.
- ALL WORKS TO BE CARRIED OUT IN ACCORDANCE WITH CURRENT IRISH AND BRITISH STANDARDS.
- ALL LEVELS RELATED TO ORDNANCE DATUM.
- DWG. TO BE READ IN CONJUNCTION WITH THE SPECIFICATION FOR THE CIVIL & STRUCTURAL WORKS.
- RKA CONSULTING ENGINEERS WILL NOT ACCEPT ANY RESPONSIBILITY FOR THE POSITIONAL ACCURACY OF PLANT SHOWN ON THIS DRAWING NOR ANY OMISSION FROM SAME SERVICE PIPES WHICH ARE NOT SHOWN ON THE PLAN.
- ALL WORKS TO BE CARRIED OUT IN CONJUNCTION WITH IW/CORK CITY COUNCIL WATER DEPARTMENT.
- CONTRACTOR TO ALLOW FOR HAND DIGGING TO LOCATE EXISTING SERVICES AS REQUIRED.
- CONTRACTOR TO KEEP FULL RECORDS OF POSITIONS OF ALL MAINS AND CONNECTIONS AND ON COMPLETION, FULL AS-BUILT DRAWINGS TO BE PRODUCED BY THE CONTRACTOR.



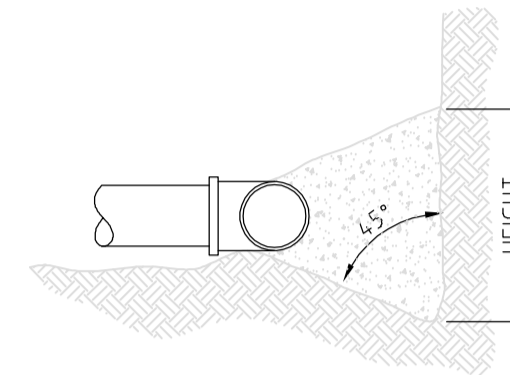
FIRE HYDRANT PLAN
(SCALE 1:25)



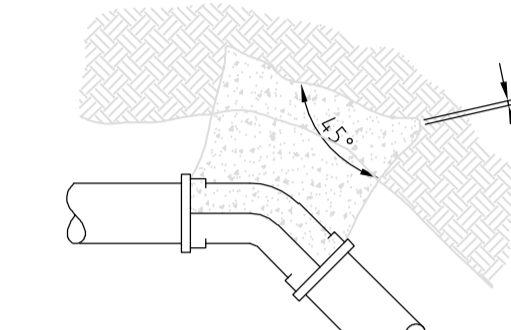
SLUICE VALVE PLAN
(SCALE 1:25)



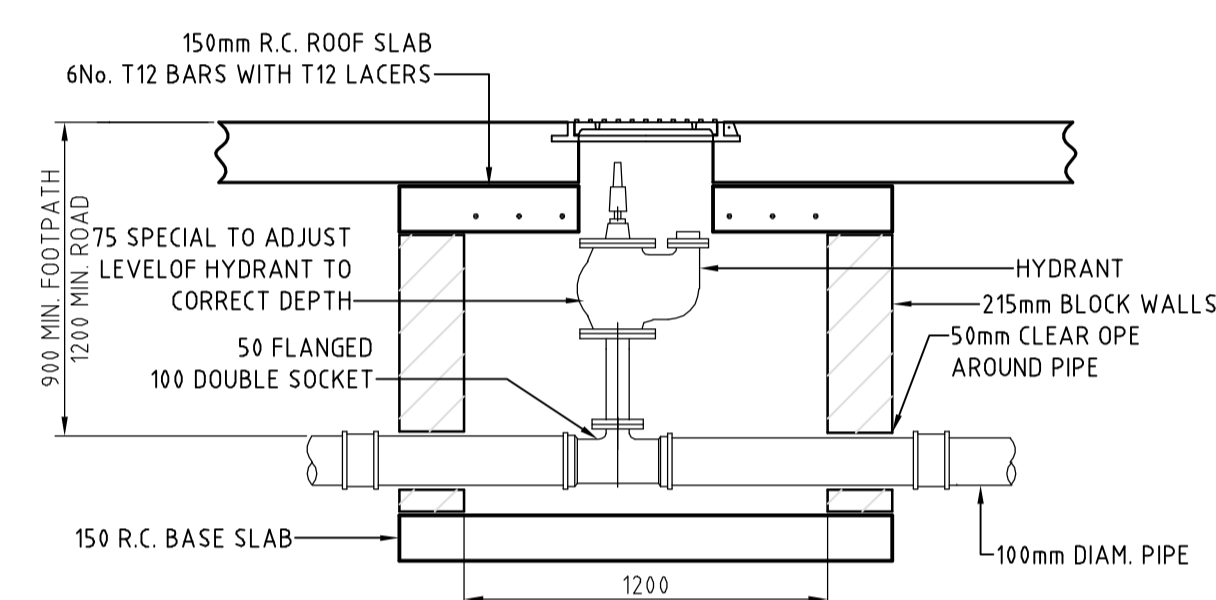
90° BEND PLAN
(SCALE 1:25)



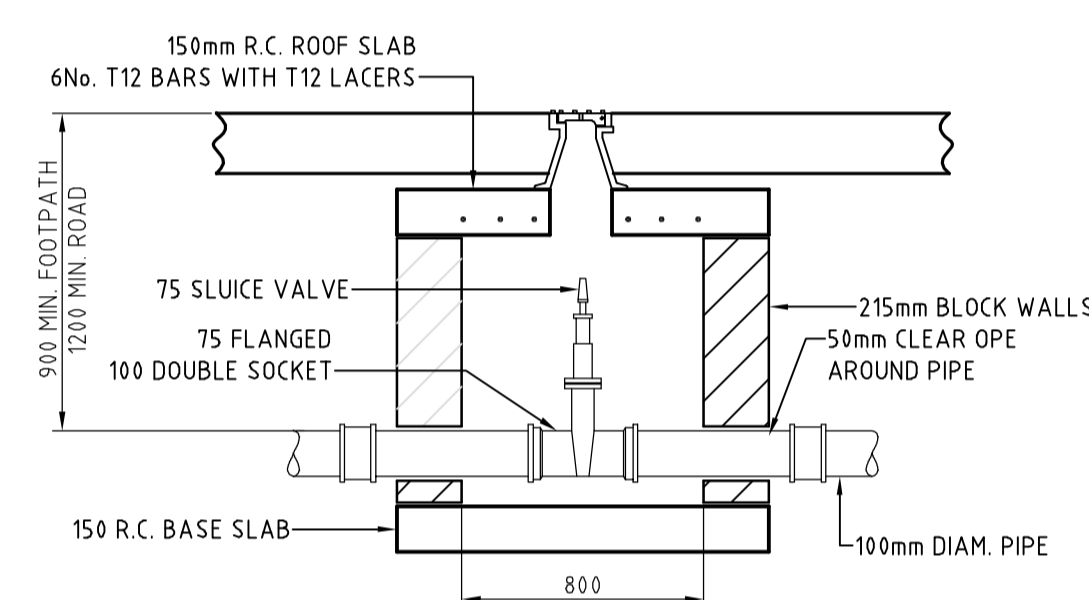
90° BEND ELEVATION
(SCALE 1:25)



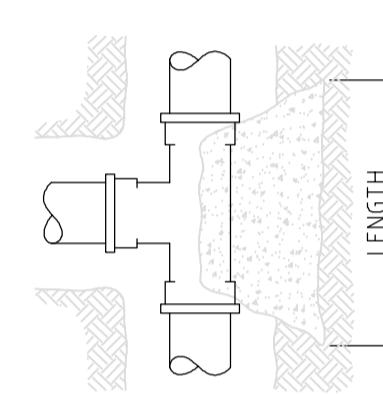
45° BEND ELEVATION
(SCALE 1:25)



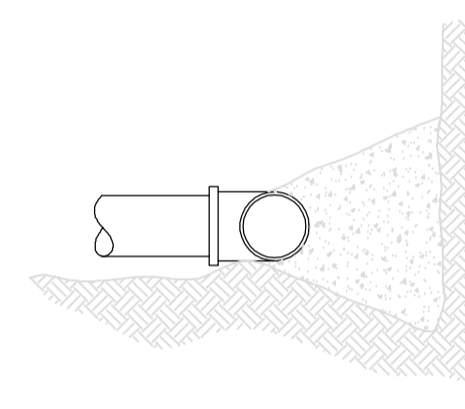
FIRE HYDRANT SECTION
(SCALE 1:25)



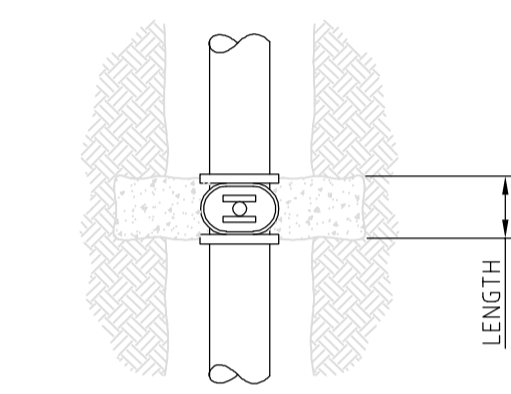
SLUICE VALVE SECTION
(SCALE 1:25)



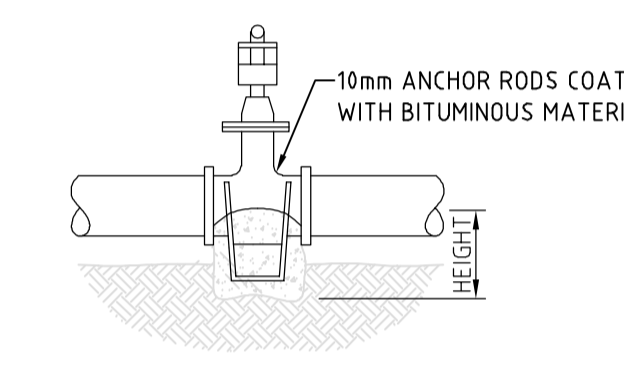
TEE PLAN
(SCALE 1:25)



TEE ELEVATION
(SCALE 1:25)



VALVE PLAN
(SCALE 1:25)



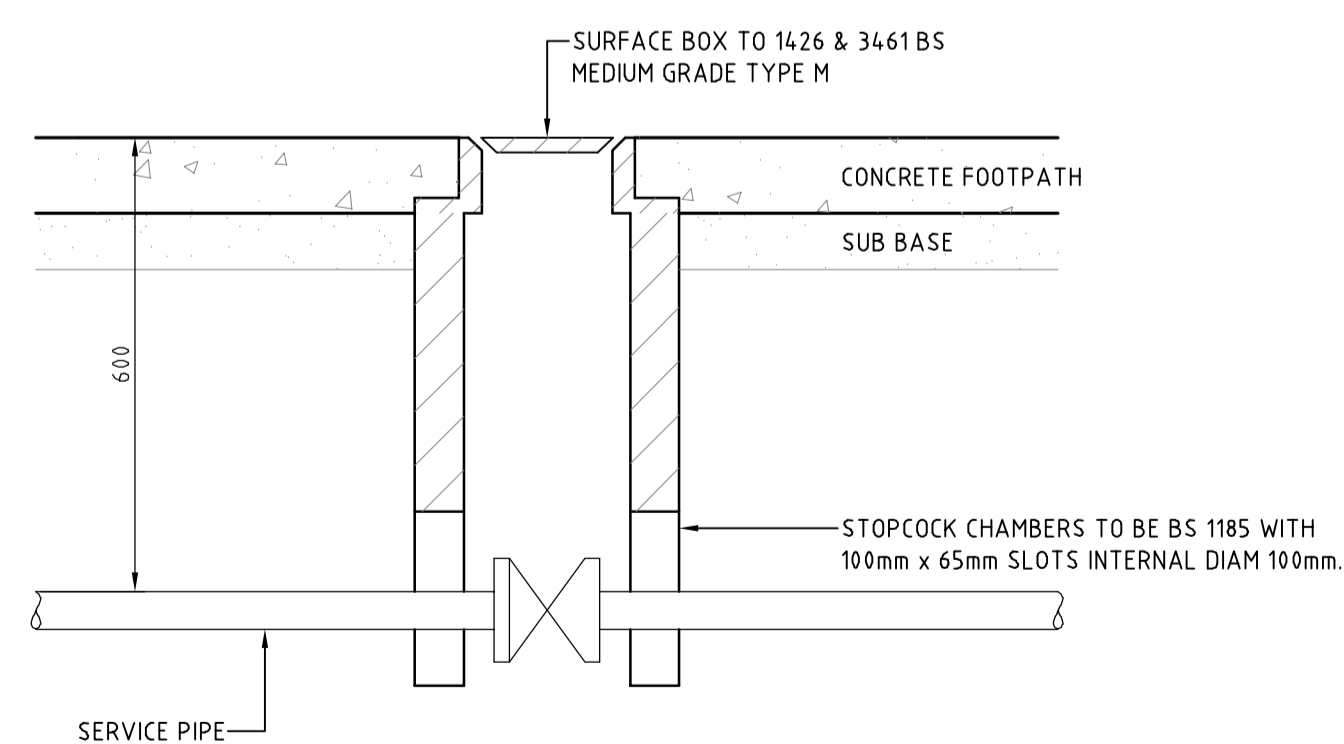
VALVE ELEVATION
(SCALE 1:25)

THRUST BLOCK DETAILS

BEARING SURFACE AGAINST UNDISTURBED EARTH - MINIMUM DIMS.

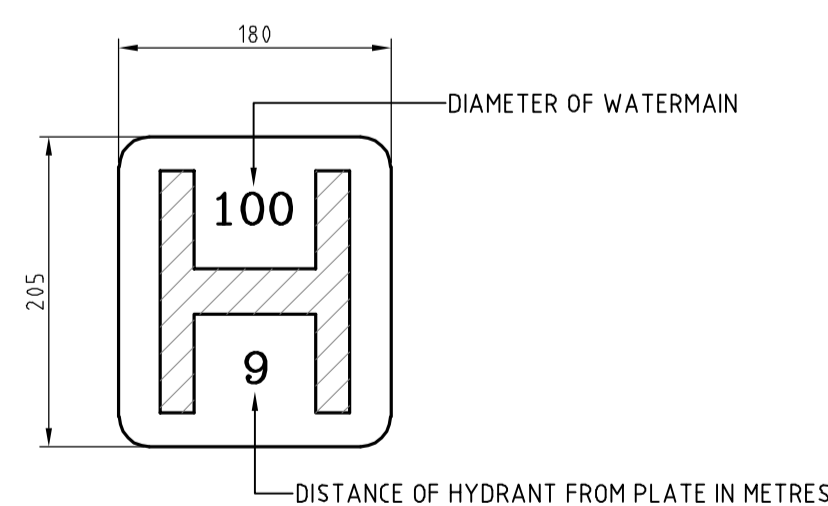
NOM PIPE SIZE	90° BEND		45° BEND		TEES, PLUGS, CAPS, HYDRANTS & VALVES	
	LENGTH	HEIGHT	LENGTH	HEIGHT	LENGTH	HEIGHT
100mm	600mm	600mm	600mm	600mm	600mm	600mm

UNDISTURBED EARTH ONLY, FOR DISTURBED EARTH USE TIE RODS PLUS THRUST BLOCKS



STOP COCK DETAIL
(SCALE 1:10)

BS 3251 : 1976



HYDRANT INDICATOR PLATE
(SCALE 1:5)

VALVE CHAMBERS

CHAMBER SIZE (INTERNAL)		
PIPE DIAMETER	LENGTH	WIDTH
100mm	450mm	250mm
150mm	450mm	475mm

HYDRANT CHAMBERS

PIPE DIAMETER	LENGTH	WIDTH
≤ 200mm	450mm	300mm

Rev	Date	Drawn	Description	Ch'kd
PL1	Sep'20	DT	Issued for Irish Water Pre-connection enquiry	
PL	Sep'20	DT	Issued for Part 8 planning	

2 Clogheen Business Park,
Blorney Road, Cork,
Ireland.

T: +353 (0)21 4399799
F: +353 (0)21 4399797
E: admin@rka.ie
W: www.rka.ie

RAY KEANE & ASSOCIATES
CONSULTING ENGINEERS
CIVIL | STRUCTURAL | PROJECT MANAGEMENT

Client:
Cork City Council

Project:
Proposed Housing at
Errigal Heights
The Glen, Cork City

Drawing Title:
Proposed Watermain Details

Designed:	Drawn:	D.T.	Date:	SEPT 2020
Eng Chk:	Dwg. Chk:		Scale:	As shown
Project No:	0600-482			
Drawing No:	1005	Status:	Planning	Rev: PL1