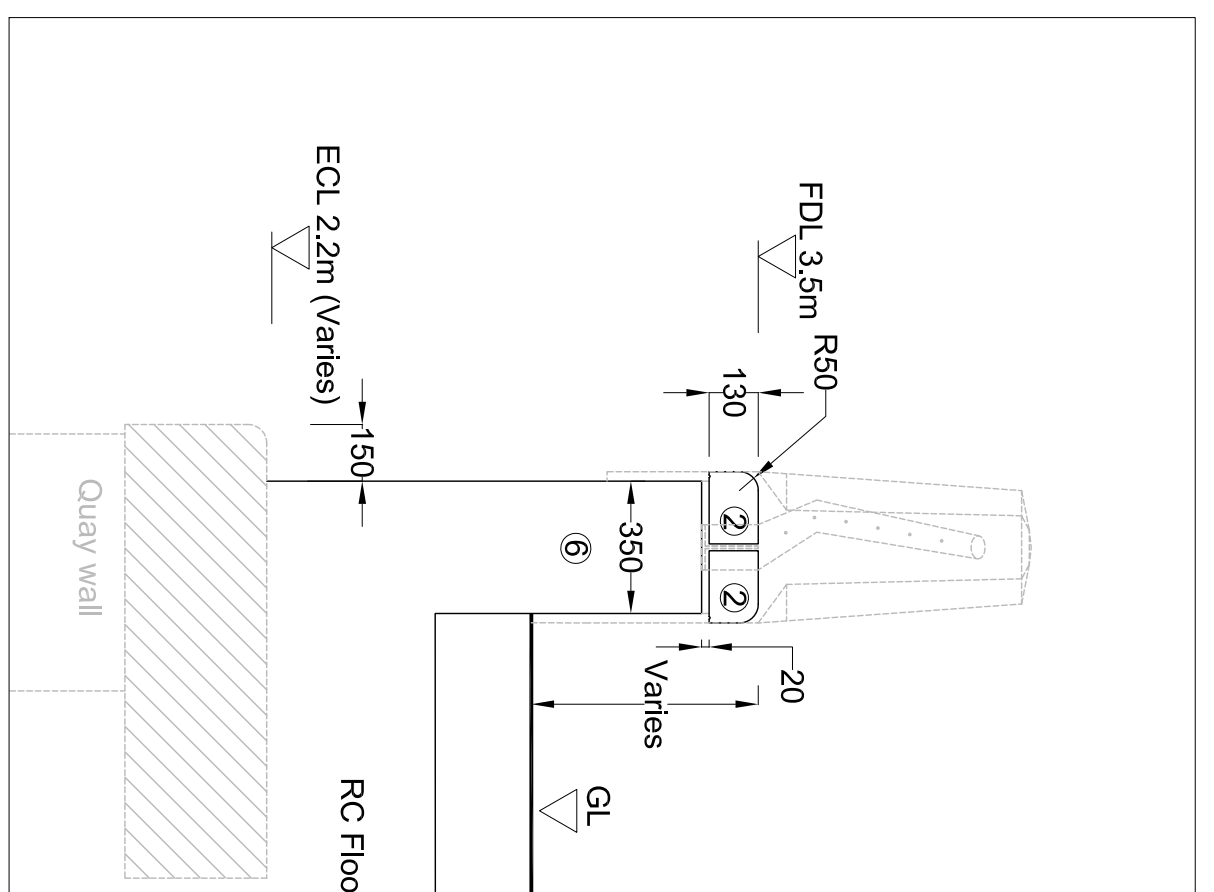
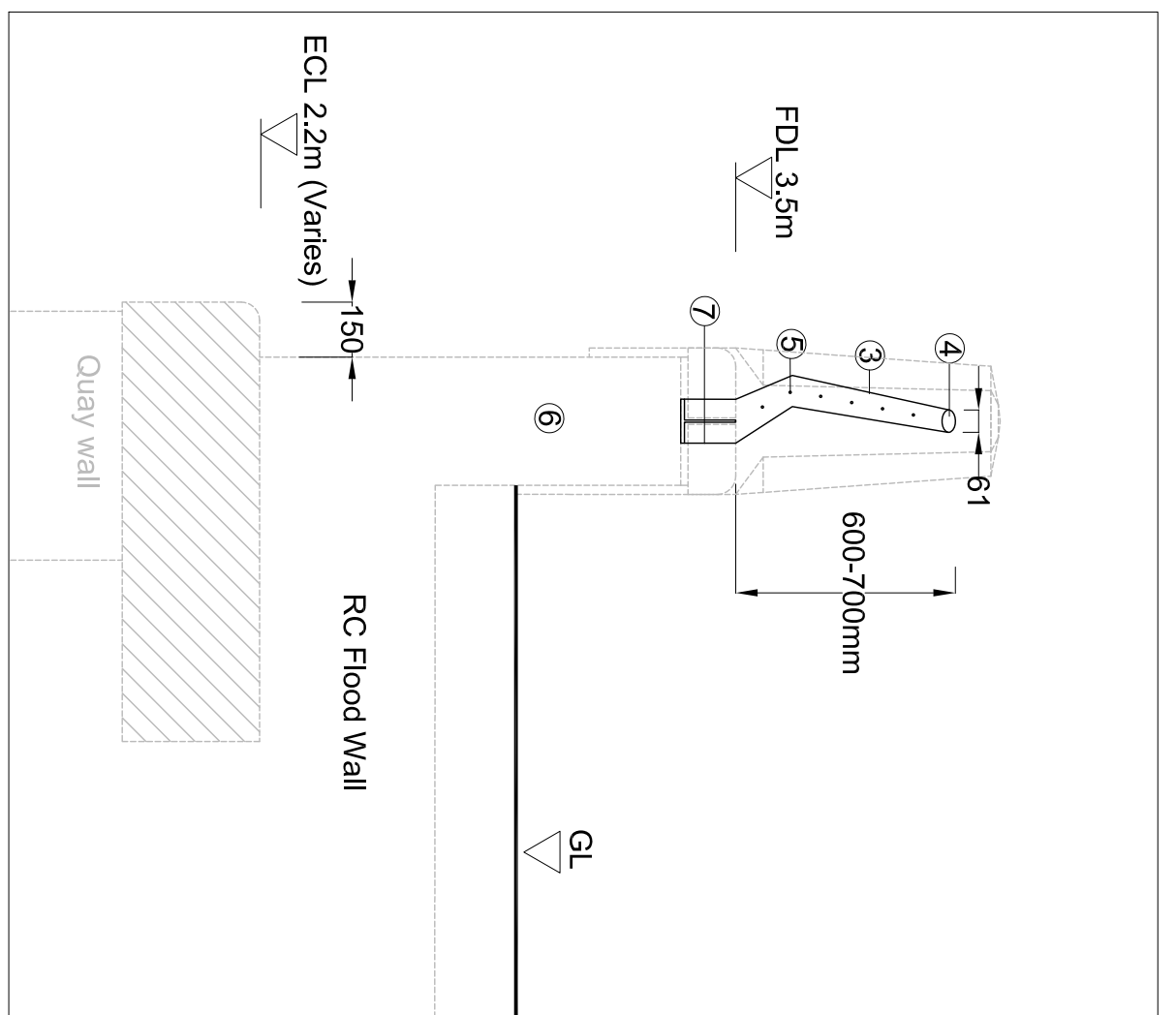


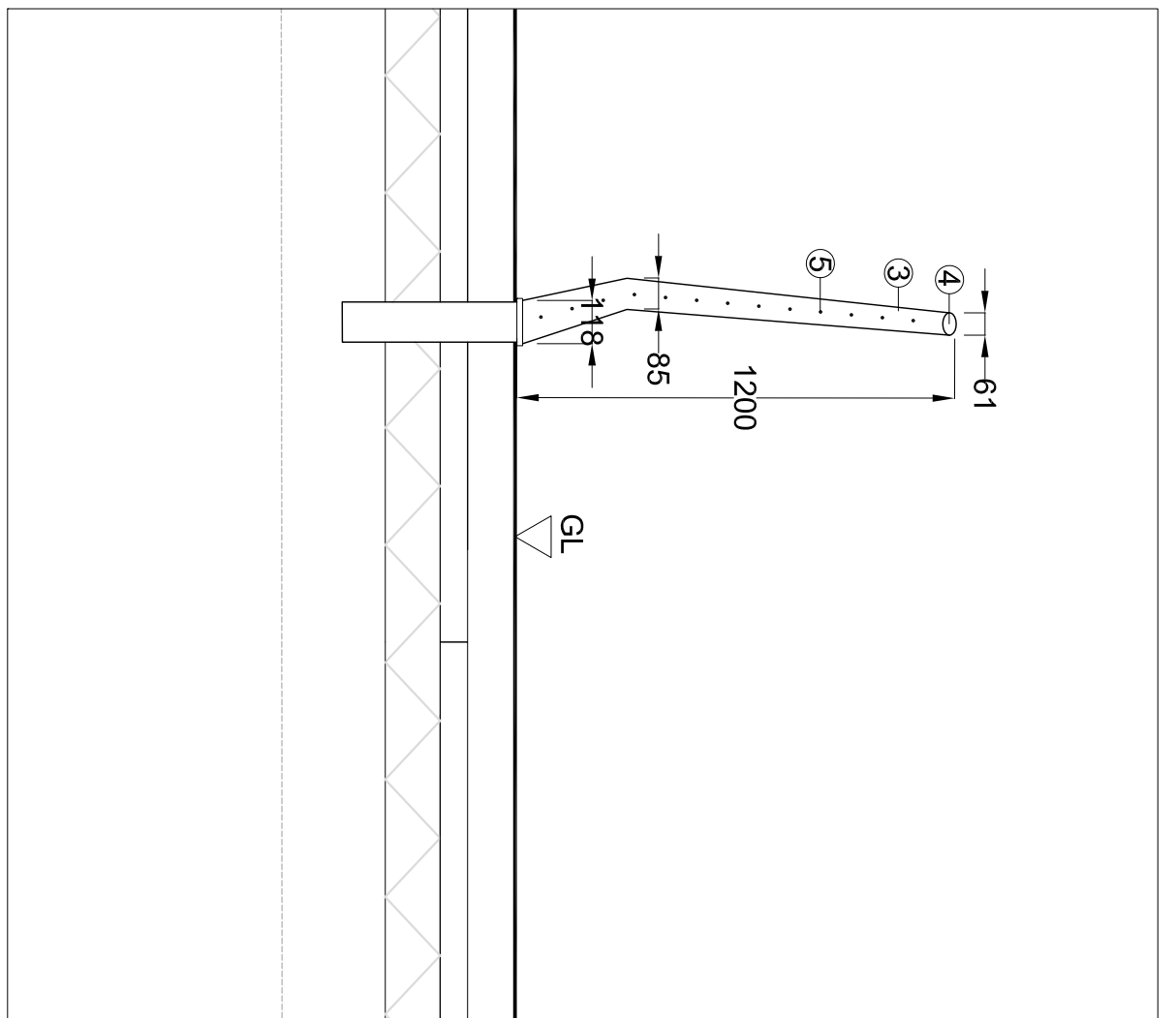
Typical Bollard Section



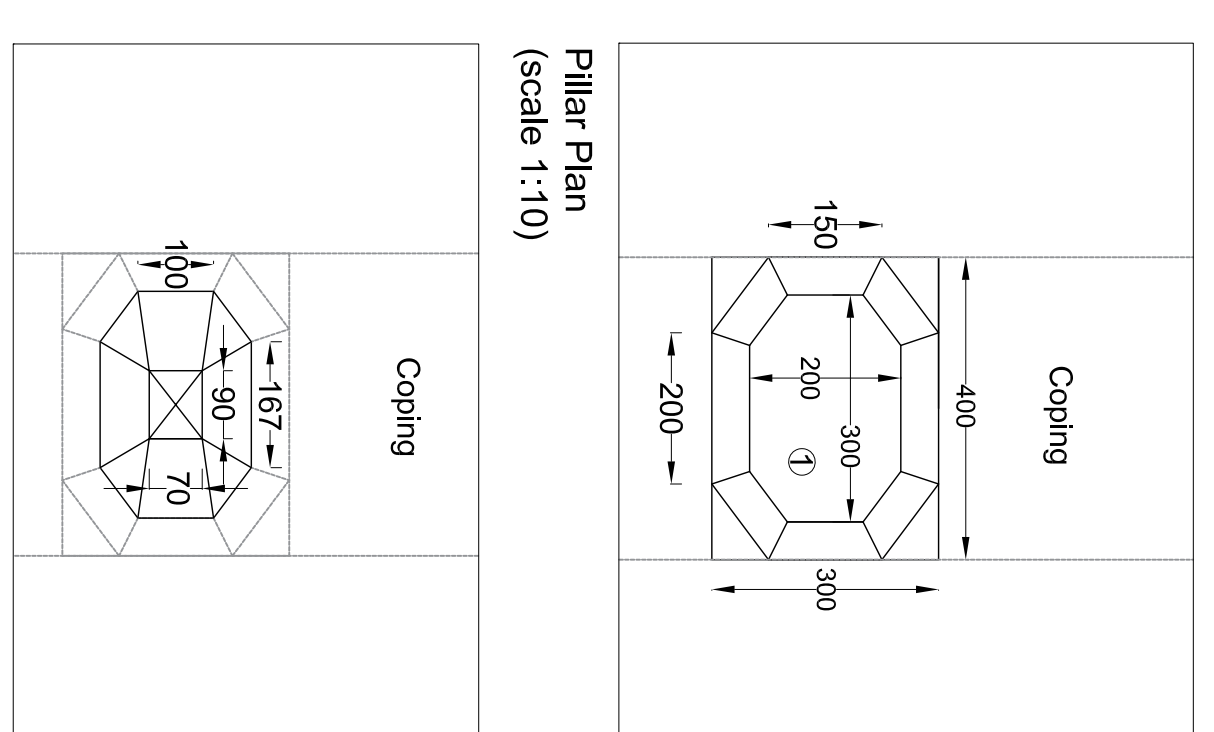
Typical Cope Section



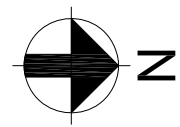
Typical Ballustrade Section (on Wall)



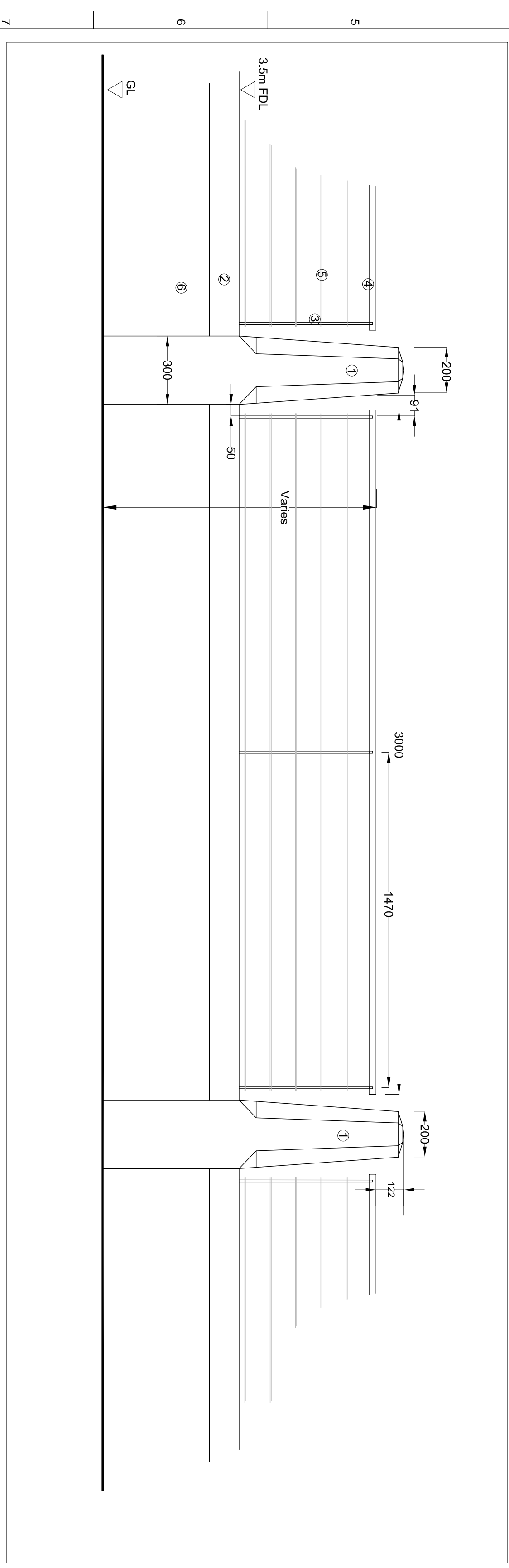
Typical Ballustrade Section (self standing)



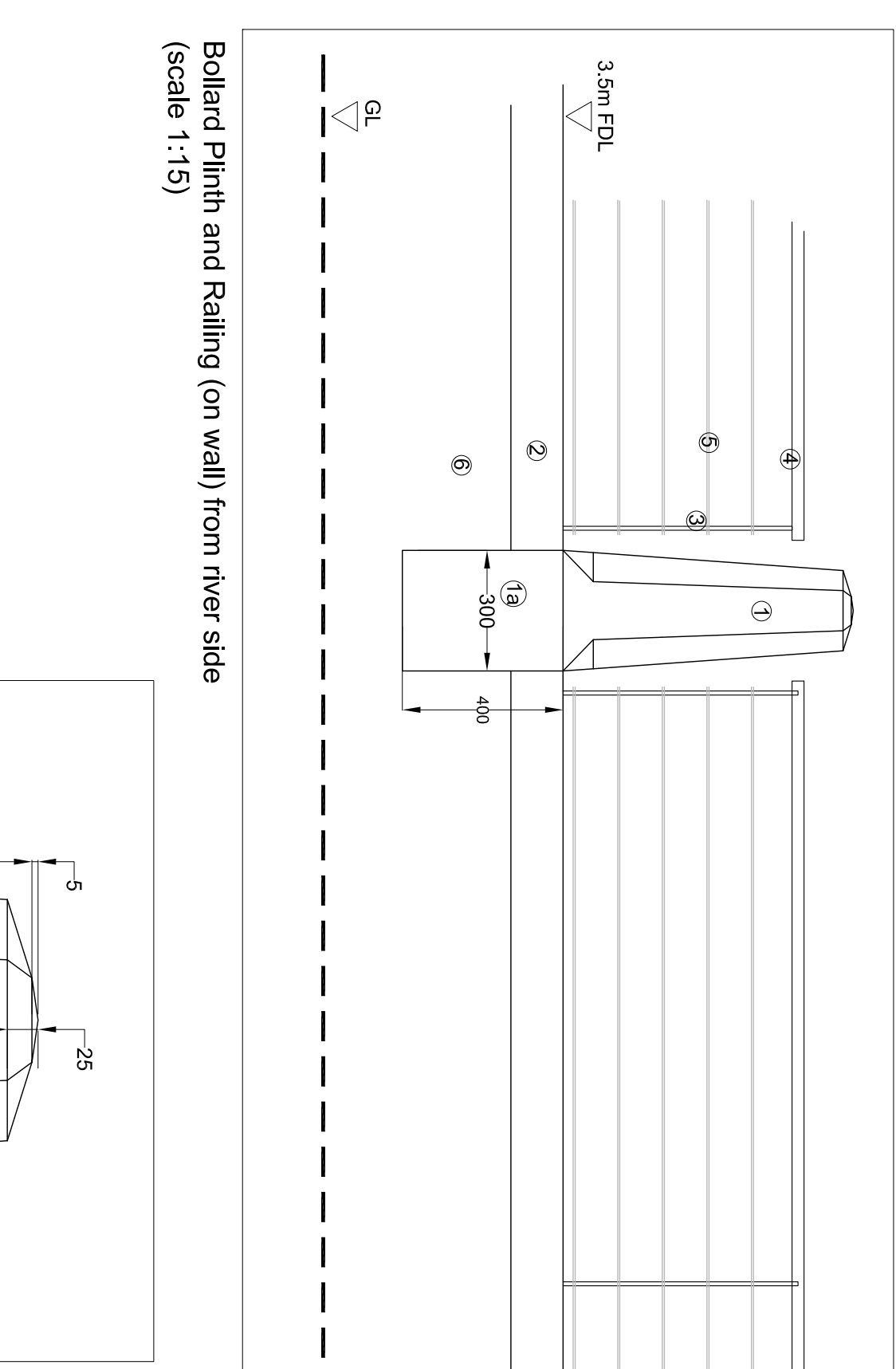
Pillar Plan - Top Detail (scale 1:10)



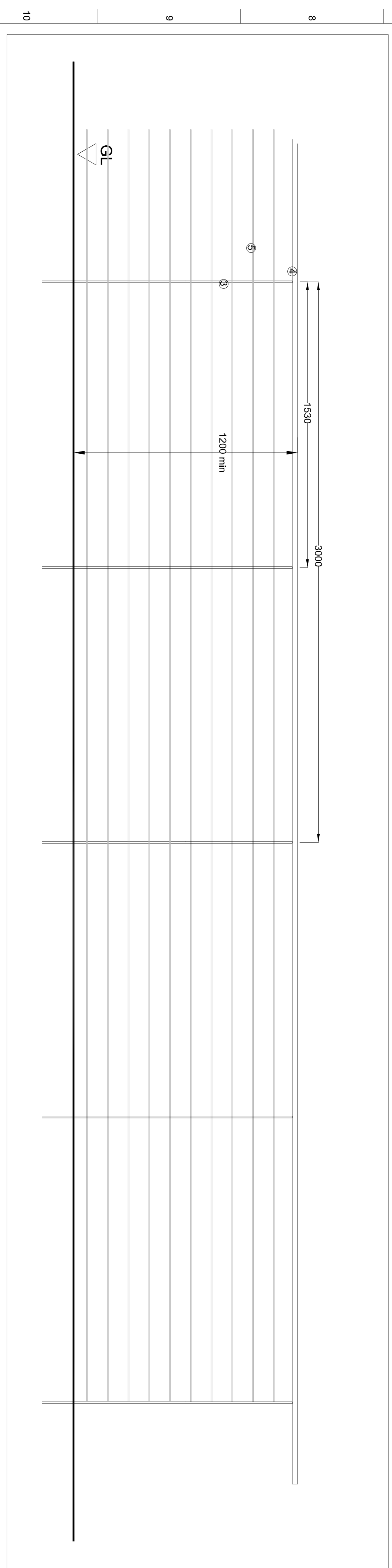
1. 'Roriz' Granite Pillar. Flamed exposed surfaces. 300mm x 400mm x 60mm thick. (Exposed edges are to have a 20mm radius. All other edges are to be sawn with no radii.
2. 'Roriz' Granite Coping in 2 pieces with drip detail. Copies to be 900mm long.
3. Ballustrade post (600 x 700mm). From 10mm thick stainless steel plate. 5mm holes to receive stainless steel plate. 8mm holes to receive straining wire.
4. Ballustrade Top Rail. 61x37mm elliptical stainless steel hollow section. Fully welded to ballustrade post.
5. Ballustrade Straining Wire. 5mm dia stainless steel with tensioners and fixing at ends.
6. RC wall to engineers detail.
- 6a. RC wall reduced to receive Granite Pillar.
7. Ballustrade 'T' section frame to form base of Ballustrade. Fully welded to posts and bolted to RC wall using recessed anchors.



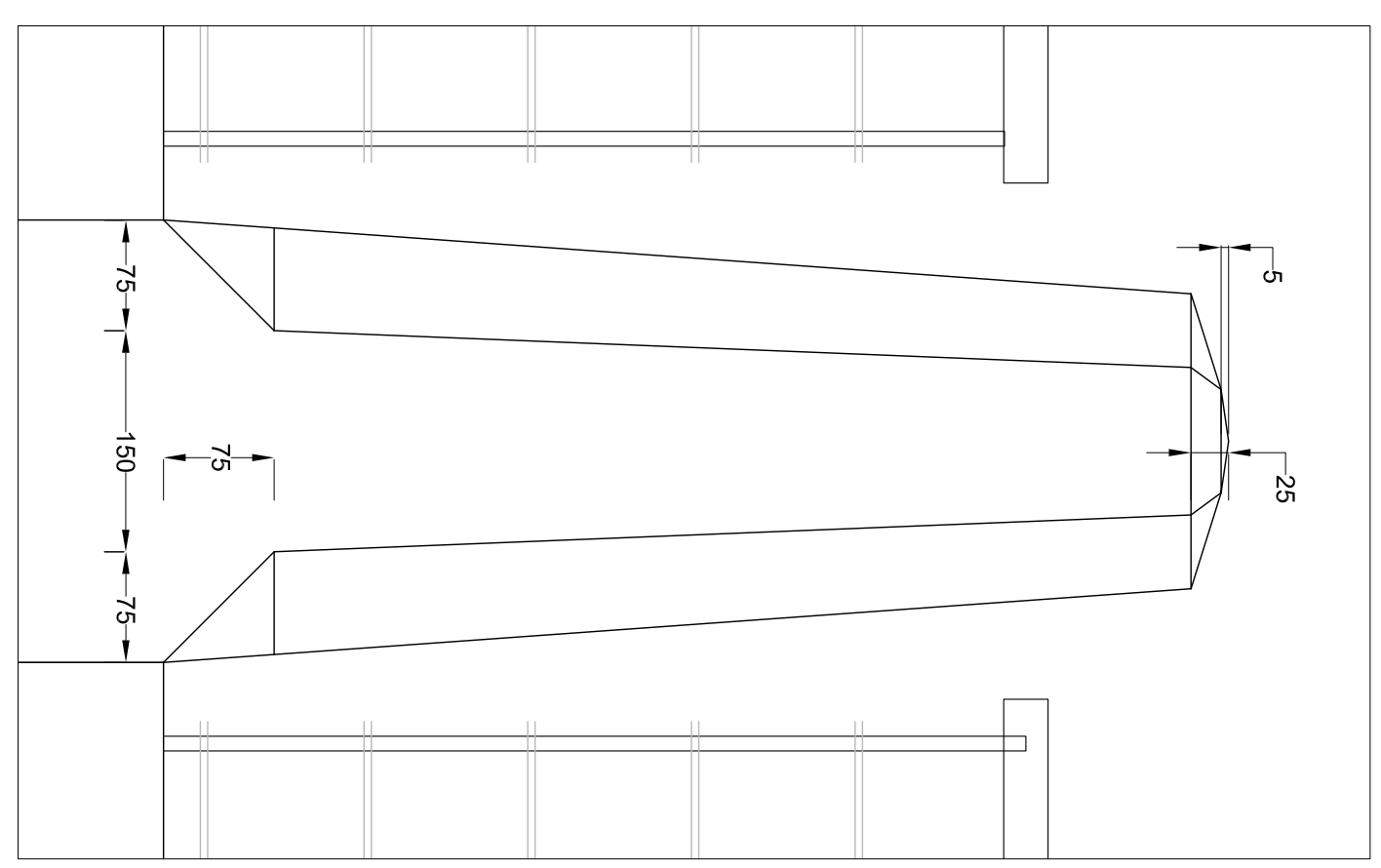
Bollard Plinth and Railing (on wall) from 'dry' side (scale 1:15)



Bollard Plinth and Railing (on wall) from river side (scale 1:15)



Freestanding Railing (scale 1:15)



Bollard Chamfer Detail (scale 1:5)

PO1	12/02/18	DM	AM	AH
Rev	Date	By	Chkd	Appd
Planning Issue				

ARUP
 One Albert Quay
 Cork, Ireland | 427 7070 Fax: +353 (0)21 427 2345
 www.arup.com

the paulhogarth company

Client
 Cork City Council
 City Hall, Anglessa Street,
 Cork.

Project Title
 Morrison's Island Public Realm
 and Flood Defence Project

Drawing Title
 Pillar, Bollard and Railings

Scale at A1	1:20 (unless otherwise noted)
Role	Civil Infrastructure
Standard	Part 8 Planning
App Job No	230436-00
Name	MOR-5000
Rev	P01