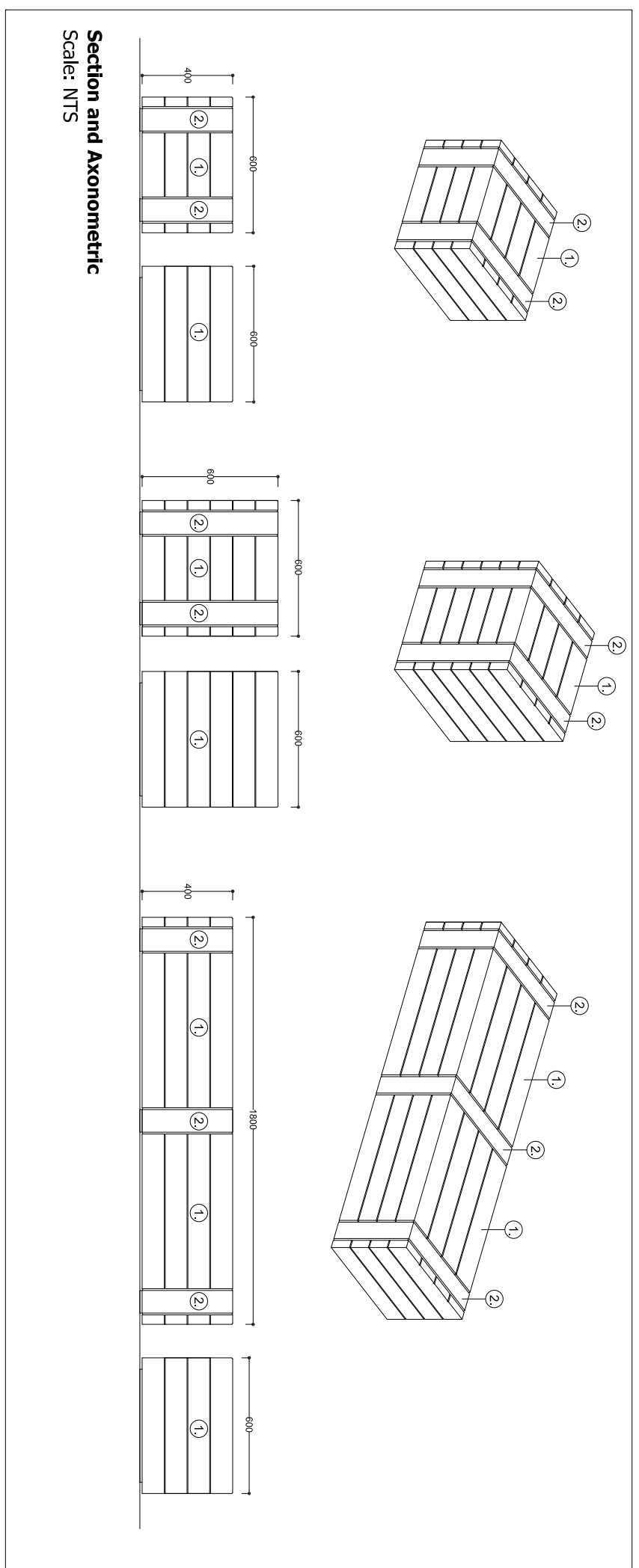


1. Hardwood timber feature seat fixed around an internal metal frame
2. Forged Steel Straps



**Section and Axonometric**  
Scale: NTS

Rev	Date	By	Chkd	Appd
P01	12/02/18	DM	AM	AH

Planning Issue

**ARUP**  
One Albert Quay  
Cork, Ireland  
Tel +353 (0)21 427 7670 Fax +353 (0)21 427 2345  
www.arup.com

**the paulhogarth company**

Project Title **Morrison's Island Public Realm and Flood Defence Project**

Drawing Title **Seating Details**

Client **Cork City Council**  
City Hall  
Anglesea street  
Cork



Scale at A3 **As Shown**

Role **Landscape Architect**  
Subsidiary **Part 8 Planning**

Arup Job No **230436-00** Rev **P01**

Name **MOR-5007**