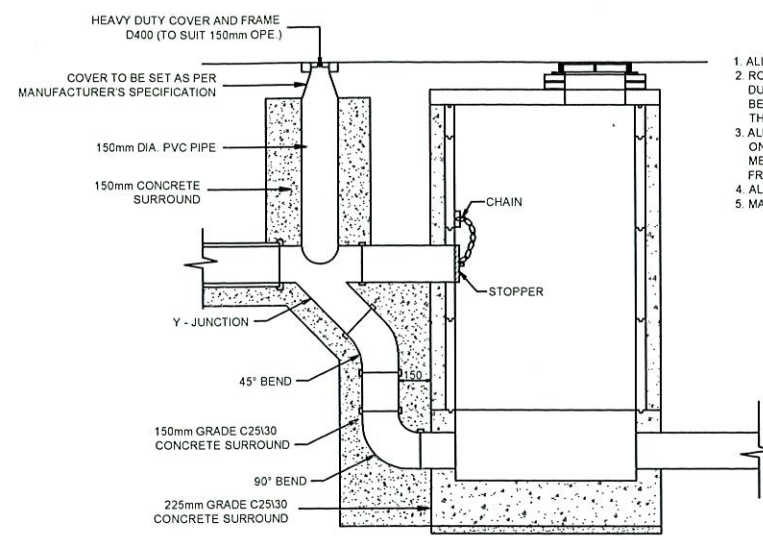
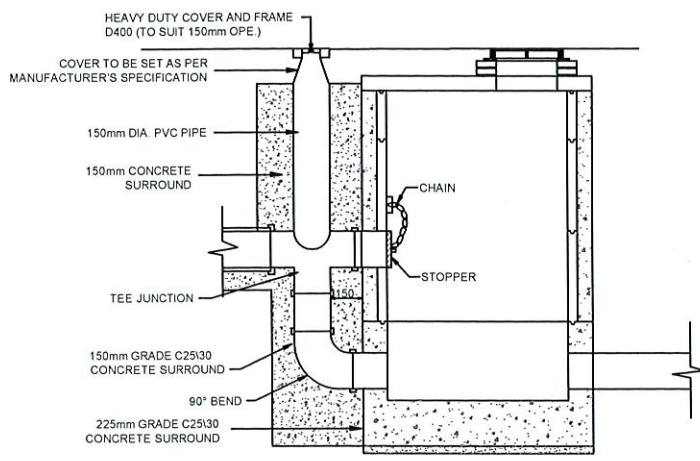


Rev	Date	Drawn	Description	Ch'Y'd
P	June '22	ME	Issued for Part B Planning	PF

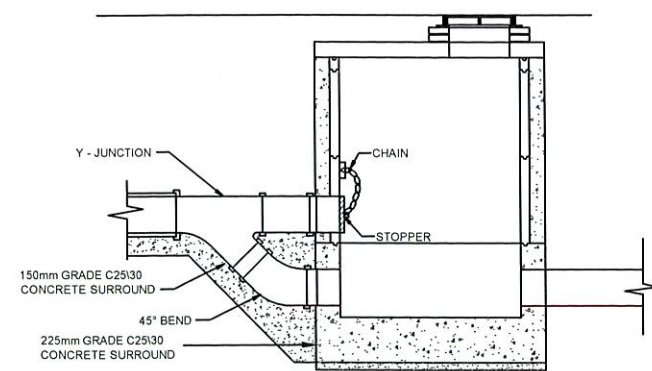


1. ALL DIMENSIONS ARE IN MILLIMETRES (mm) UNLESS NOTED OTHERWISE
2. RODDING EYE CHAMBER SHALL BE COVERED WITH APPROVED HEAVY DUTY METAL COVERS TO IS 261 AND BS 5834. COVER AND FRAME SHALL BE SUITABLE FOR ROAD AND TRAFFIC CONDITIONS AND IS SUBJECT TO THE APPROVAL OF IRISH WATER.
3. ALL CHAMBERS TO BE CHECKED FOR UPLIFT BY THE DEVELOPER BASED ON GROUND CONDITIONS WITHIN THE SITE. SHOULD ANTI FLOATION MEASURES BE REQUIRED THEY SHALL BE SUBJECT TO APPROVAL FROM IRISH WATER.
4. ALL CONCRETE TO BE IN ACCORDANCE WITH IS EN 206.
5. MANHOLE DETAILS TO BE IN ACCORDANCE WITH STD-WW-09, 10 AND 11

TYPE No. 1
150mm - 450mm DIA. (INCL.) DROP GREATER THAN 1700mm
500mm - 900mm DIA. (INCL.) DROP GREATER THAN 2300mm

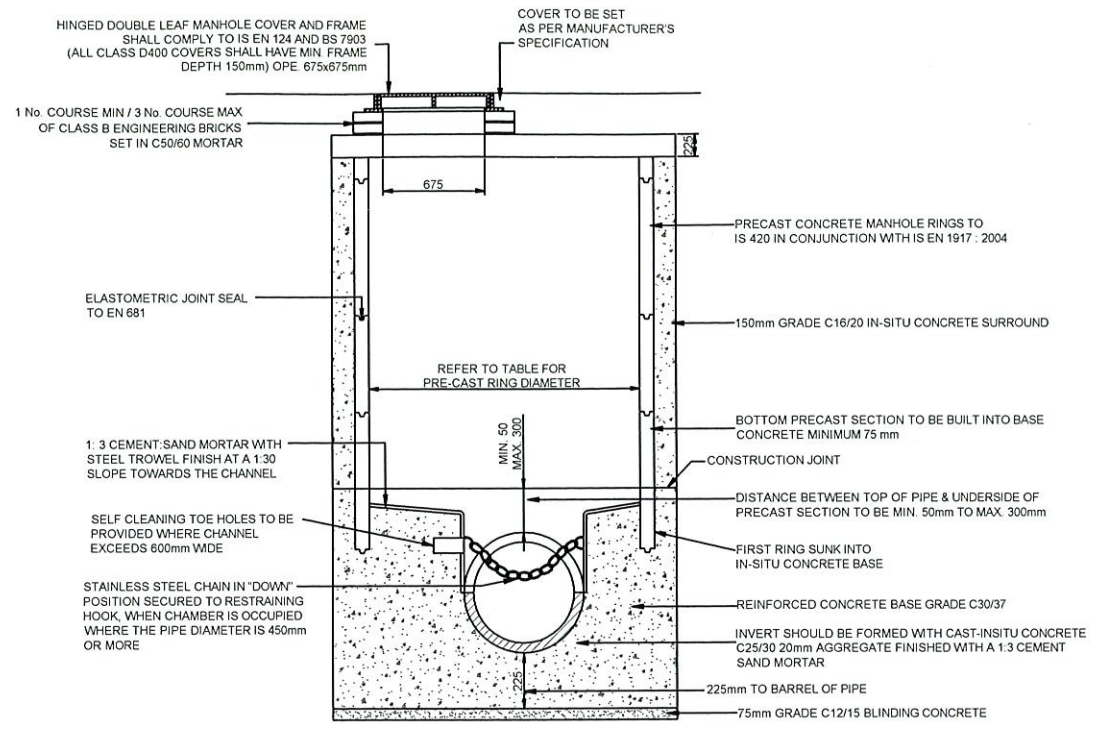


TYPE No. 2
150mm - 450mm DIA. (INCL.) DROP GREATER THAN 900 AND LESS THAN 1700mm
500mm - 900mm DIA. (INCL.) DROP GREATER THAN 1300mm AND LESS THAN 2300mm

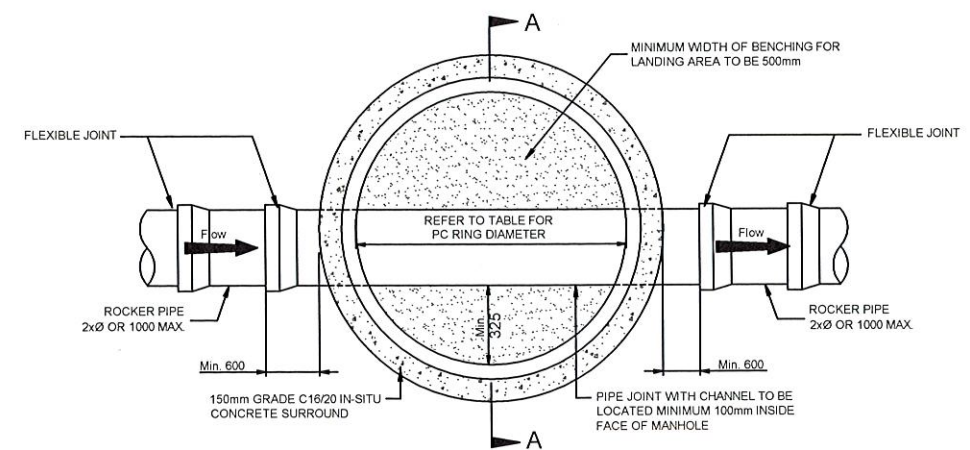


TYPE No. 3
150mm - 450mm DIA. (INCL.) DROP GREATER THAN 600mm AND LESS THAN 900mm
500mm - 900mm DIA. (INCL.) DROP GREATER THAN 600mm AND LESS THAN 1300mm

BACKDROP MANHOLES



SECTION A-A



PLAN

MINIMUM MANHOLE DIAMETERS	
DIAMETER OF LARGEST PIPE IN MANHOLE (mm)	INTERNAL DIAMETER OF MANHOLE (mm)
LESS THAN 375	1200
375 TO 450	1350
500 TO 750	1500

NORMAL INTERNAL DIAMETER	MINIMUM TRENCH WIDTH (mm)	MAXIMUM TRENCH WIDTH (mm)
100	450	650
150	500	700
225	600	800
300	700	900

PRE-CAST CONCRETE MANHOLE

MAX. & MIN. TRENCH WIDTHS

GENERAL NOTES:

1. DRAWINGS TO BE READ IN CONJUNCTION WITH ARCHITECTS DRAWINGS.
2. ALL DIMENSIONS IN MILLIMETRES.
3. SETTING OUT DETAILS TO BE OBTAINED FROM ARCHITECTS DRAWINGS.
4. ARCHITECT TO BE INFORMED OF ANY DISCREPANCIES IMMEDIATELY.
5. ENGINEER TO BE NOTIFIED OF ANY STRUCTURAL CONC. POURS SO THEY MAY BE INSPECTED AND PASSED.
6. ALL WORKS TO BE CARRIED OUT IN ACCORDANCE WITH CURRENT IRISH AND BRITISH STANDARDS.
7. ALL WORKS TO BE CARRIED OUT IN CONJUNCTION WITH CORK CITY COUNCIL DRAINAGE DEPT./IRISH WATER.
8. CONTRACTOR TO KEEP FULL RECORDS OF POSITIONS OF ALL DRAINS AND CONNECTIONS AND ON COMPLETION, FULL AS-BUILT DRAWINGS TO BE PRODUCED BY THE CONTRACTOR.

MANHOLES

1. Pre-cast concrete manholes to be accordance with IS 420: 1989.
2. Manhole covers to roads to be Cavanagh Panther heavy duty Ref. A0011 to EN 124 or similar approved.
3. Manhole covers to gardens and medium trafficked areas to be Cavanagh Tiger Duty Ref. A0053 to EN 124 or similar approved.

Rev	Date	Drawn	Description	Ch'Y'd
P	June '22	ME	Issued for Part B Planning	PF

rka CONSULTING ENGINEERS
CIVIL | STRUCTURAL | PROJECT MANAGEMENT

2 Clogheen Business Park, Blarney Road, Cork, Ireland.
T: +353 (0)21 4399799
F: +353 (0)21 4399797
E: admin@rka.ie
W: www.rka.ie

Client: **Cetti Ltd.**

Project: **Proposed Development**
At Kinsale Road, Cork City.

Proposed Manhole Details			
Designed: PF	Drawn: ME	Date: June 2022	
Eng Chk: PF	Dwg. Chk: PF	Scale: 1:25 @ A1	
Project No: 0567002		1:50 @ A3	
Drawing No: 1007	Status: Planning	Rev: P	