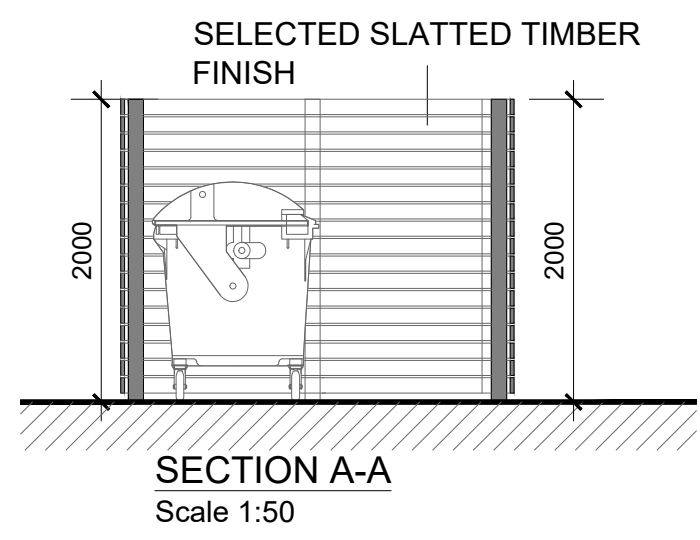
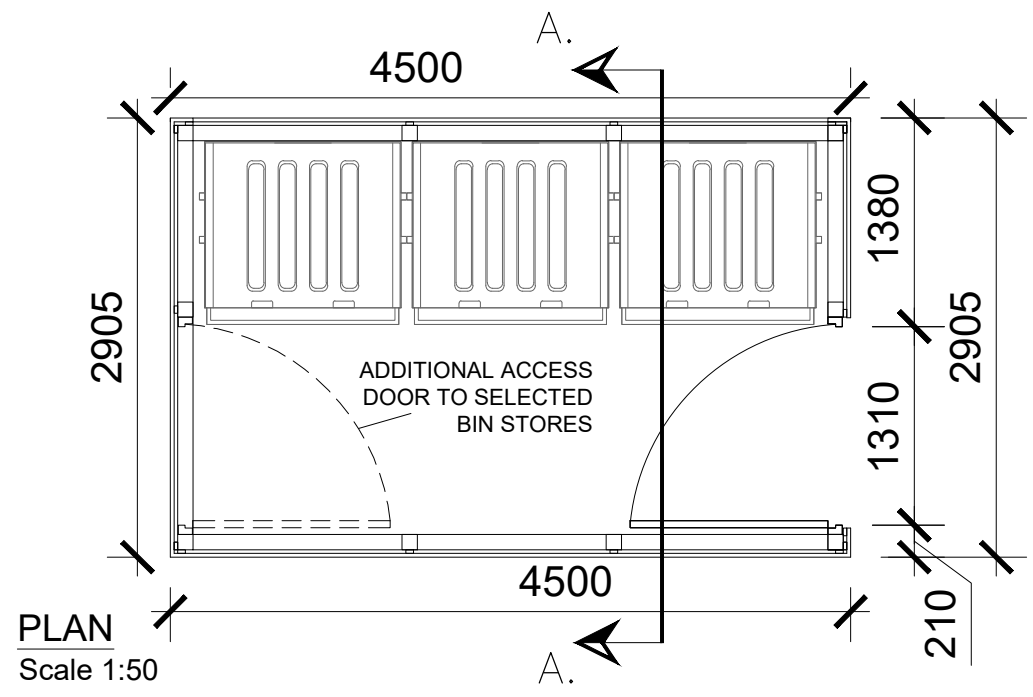
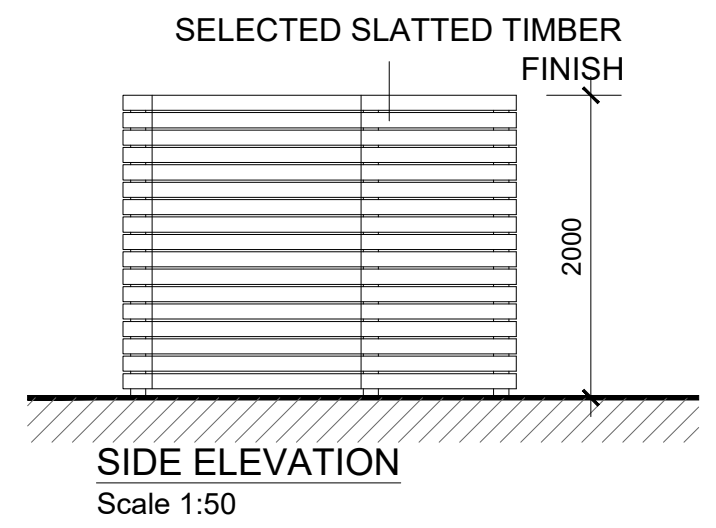
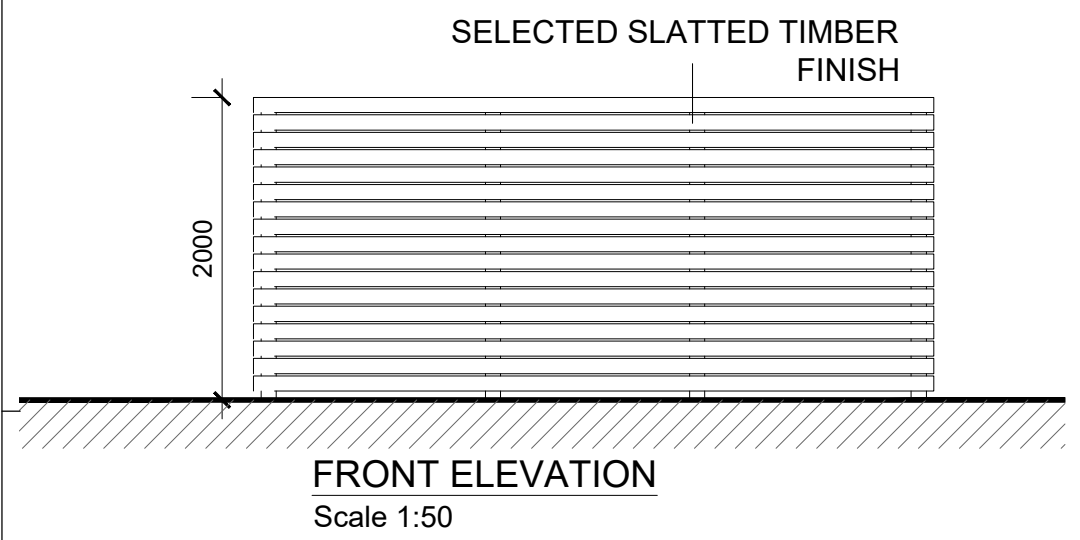
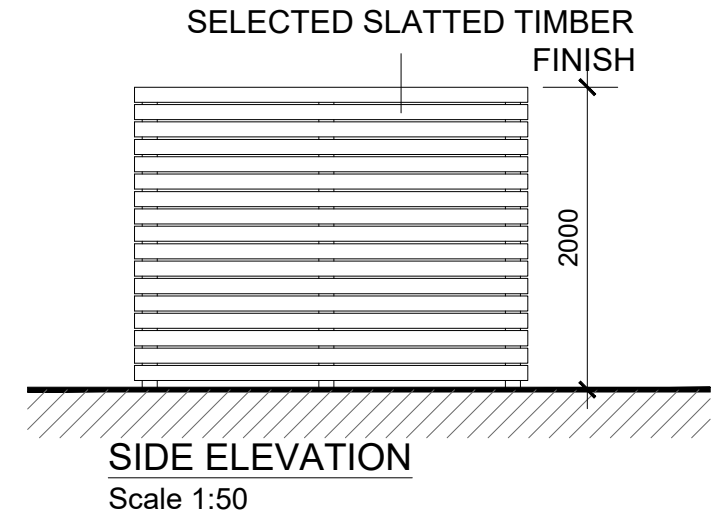
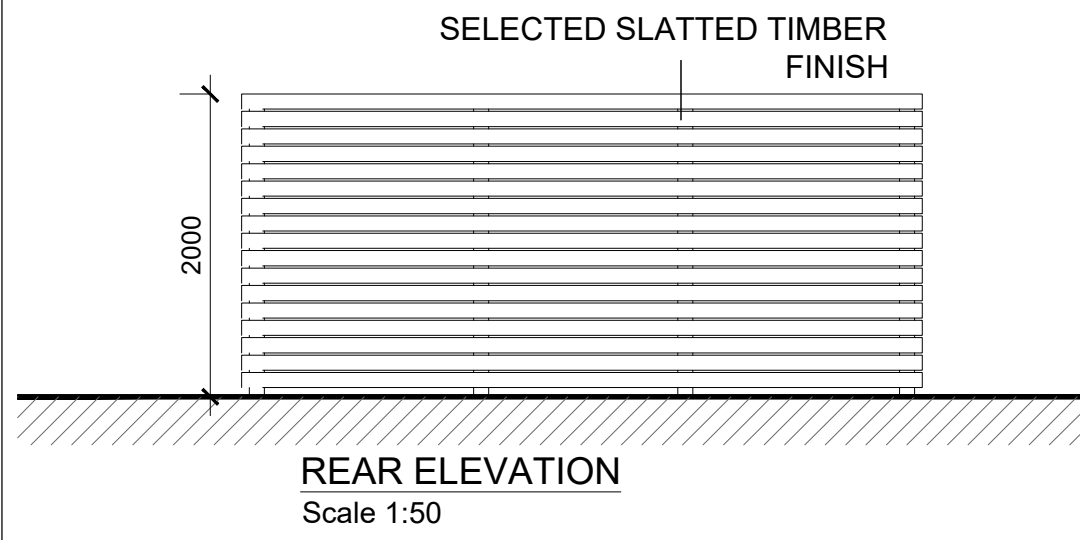
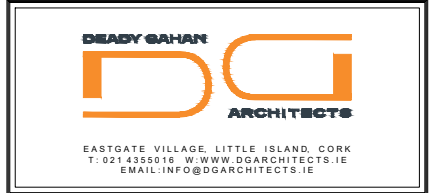


DO NOT SCALE. WORK TO FIGURED DIMENSIONS ONLY.  
 ALL EXISTING DIMENSIONS TO BE CHECKED ON SITE.  
 DRAWN ON AUTOCAD R2004 AT DEADY GAHAN ARCHITECTS LTD  
 LAYERS ON THIS DRAWING COMPLY WITH BS 1192: PART 5



NOTE: POSITION OF NORTH POINT & LEVELS VARY.  
 SEE SITE PLAN FOR ORIENTATION - DWG NO. 21054/P/003

date	rev	name	chk	note
16.06.22	P1	MP	EJG	ISSUE FOR PLANNING



Project  
 PROPOSED RESIDENTIAL DEVELOPMENT  
 AT DUBLIN PIKE, BALLINCROKIG, CO. CORK.

Drawing title  
 PROPOSED TYPICAL BIN STORE

Scale 1:50 @A3	Drawn MP	Checked EJG	Date 20.12.21
Project No. 21054	Drw. No. 21054/P/009	Revision P1	

Information \ Comments  Tender   
 Planning  Construction

**PROPOSED BIN STORE TYPE A**  
 SCALE 1:50 @ A3