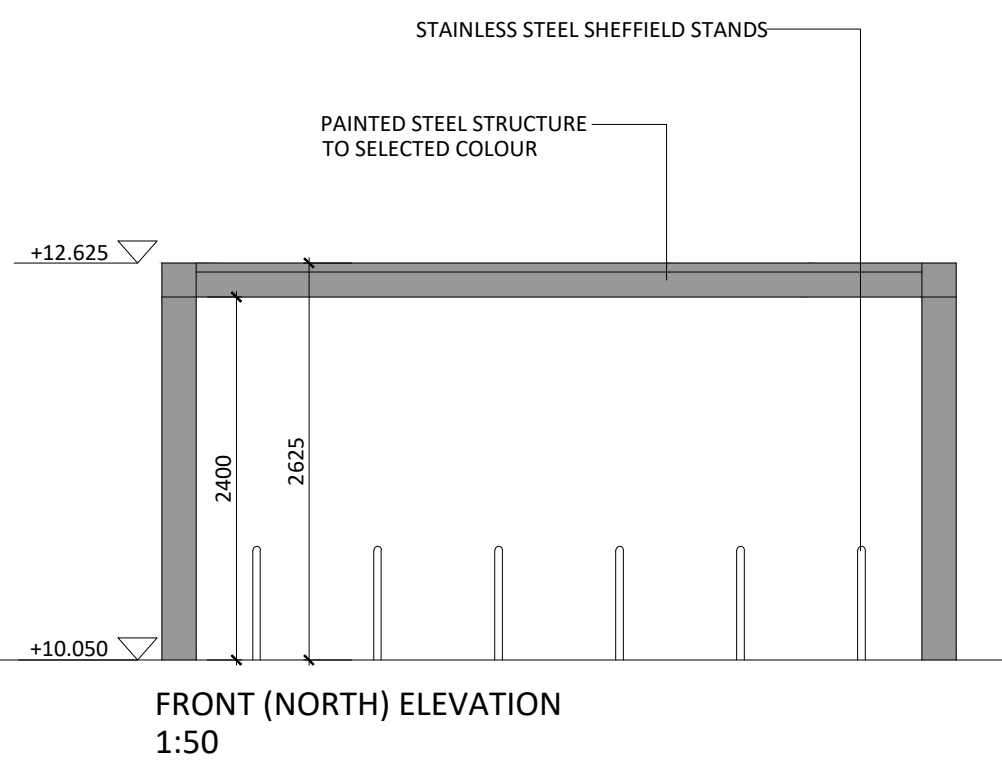
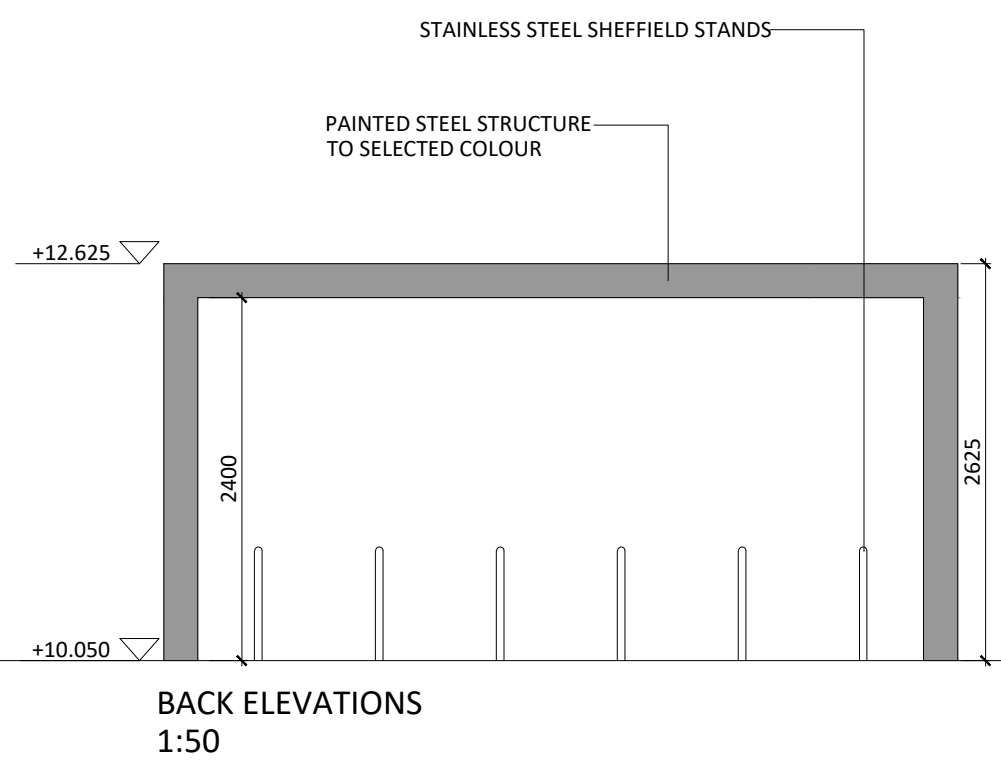
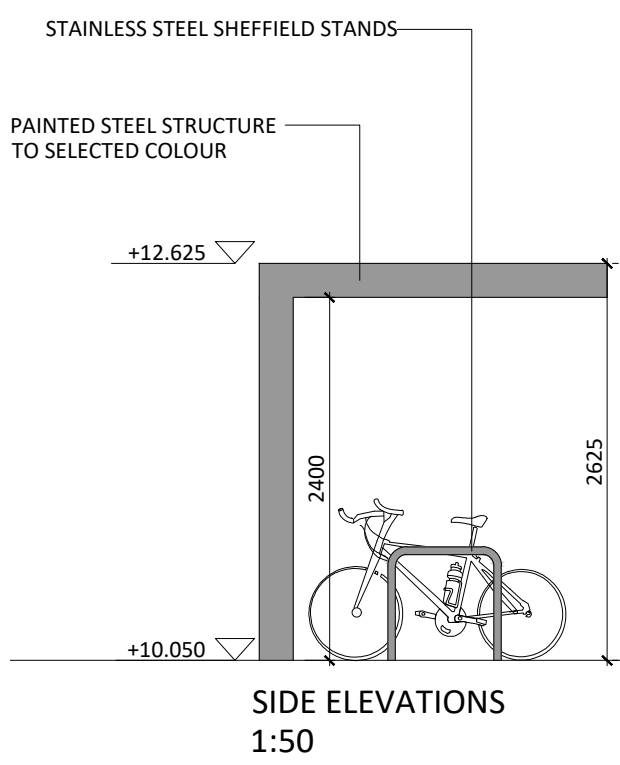
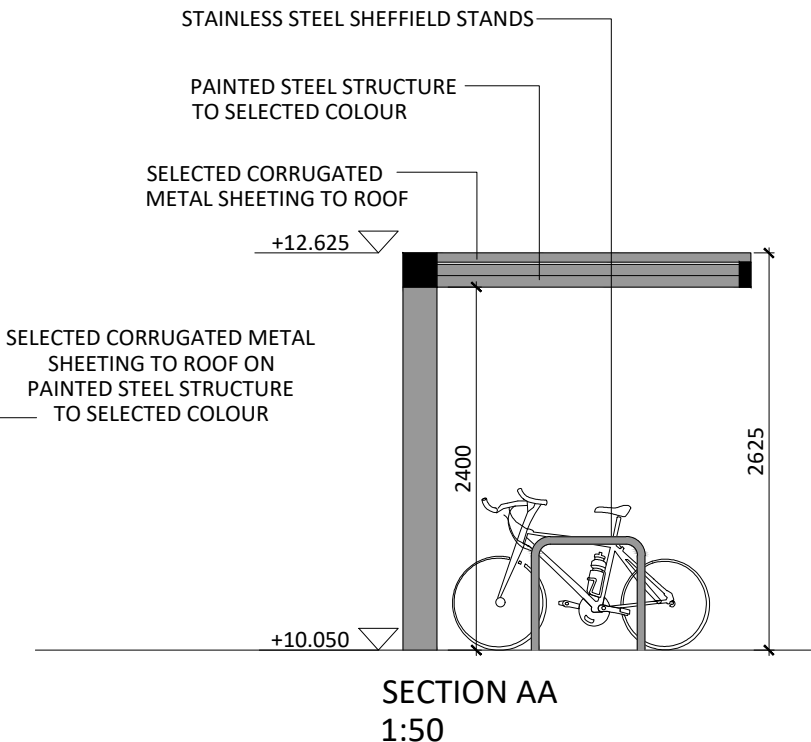
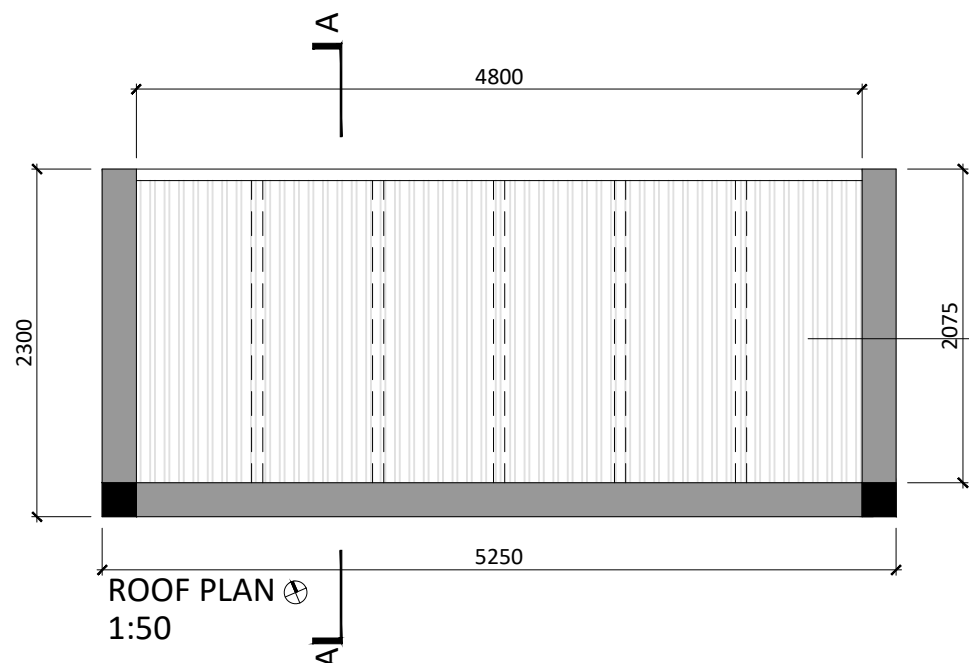
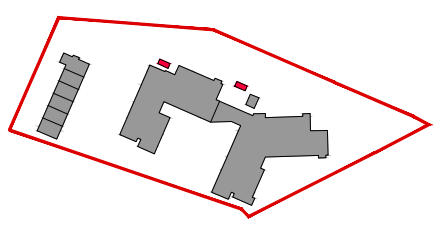


6 NO. STAINLESS STEEL SHEFFIELD STANDS (12 NO. BICYCLES)



Bicycle Shelter Type 1



Revision Description	Date	Rev. No.	Issued by
Draft Planning Application	22-07-2022	C01	SK
Final Planning Application	10-10-2022	C02	AW

**mahony pike**  
 architecture | urban design  
 email: info@mahonypike.com  
 tel: +353 1 202 7400  
 fax: +353 1 283 0822  
 www.mahonypike.com

**Dublin**  
 The Chapel  
 Mount St. Anne's  
 Milltown, Dublin 6  
 Co. Cork

**Cork**  
 26 South Mall  
 Cork City  
 Co. Cork  
 T12 R2RV Ireland

Project No.: 20001A  
 Project Lead: AS  
 Drawn By: SK  
 Model No.: 20001A-OMP-BS-ZZ-DR-A-1900  
 Purpose: A3

Scale @ A3: 1:50  
 Date Printed: 10-10-2022  
 Current Rev.: C02

Project: Clover Hill Court  
 Location: Bessboro Road, Mahon, Cork  
 Client: Cork City Council

Drawing Title: Bicycle Shelter Type 1  
 Drawing No.: 20001A-OMP-BS-ZZ-DR-A-1900

Suitability - Checked By - Date

Figured dimensions only to be used. This drawing is copyright of O'Mahony Pike Architects Ltd. All information is shared as per approved use in accordance with BS1192(2007) + A2(2016), Table 5; Standard Codes for Suitability of Models and Documents. If 'Information Approval Check' is empty, this information has been shared at 50 - WIP.