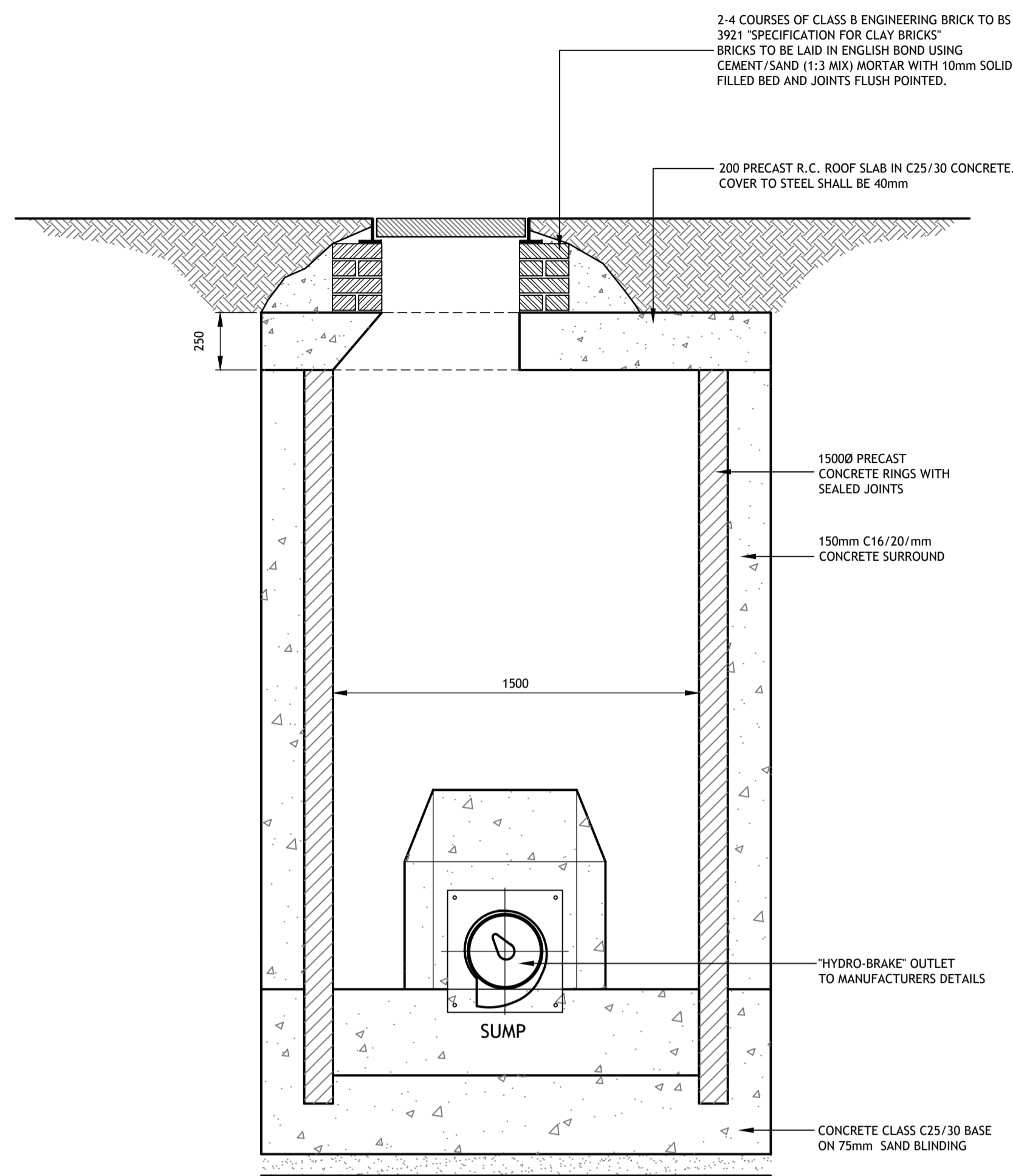
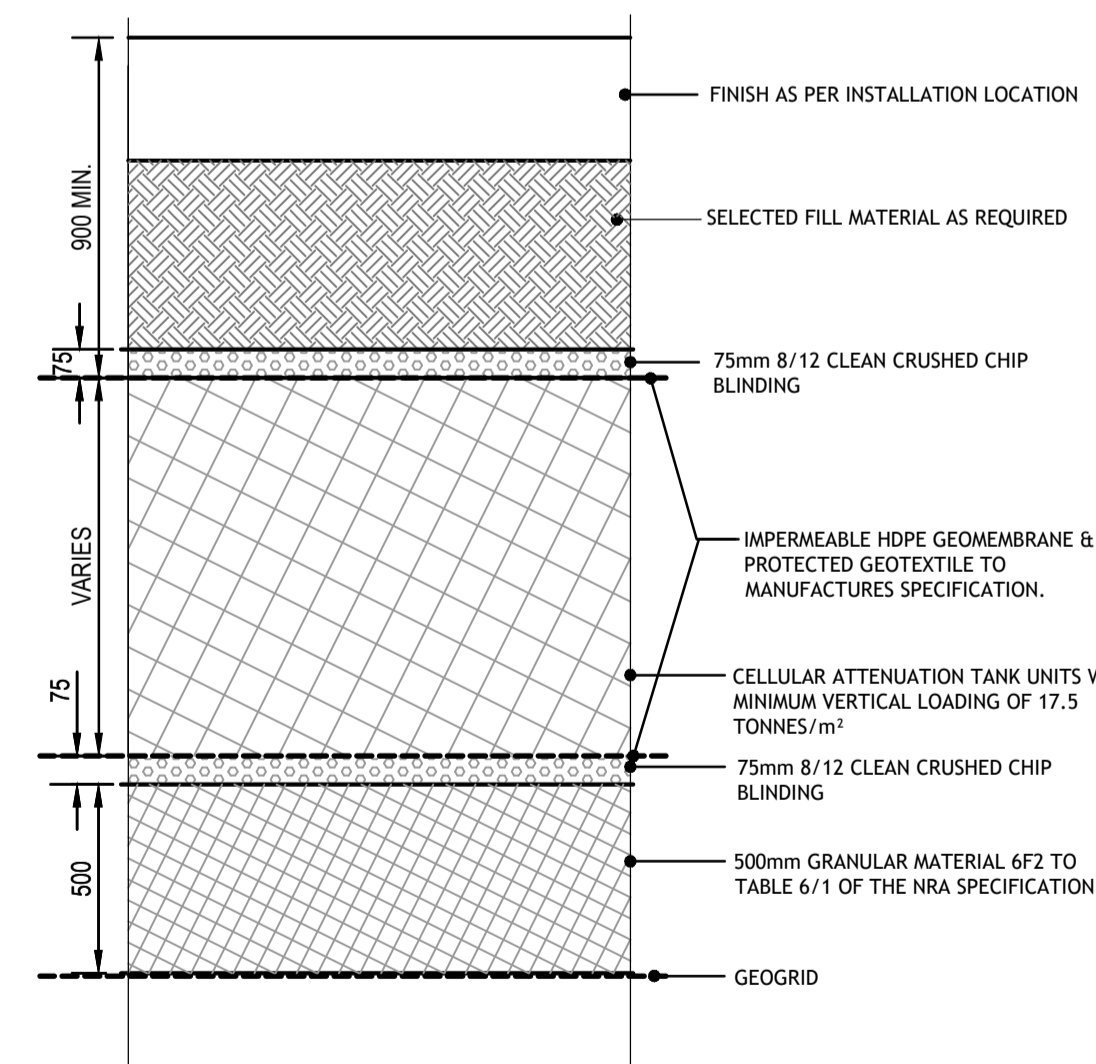
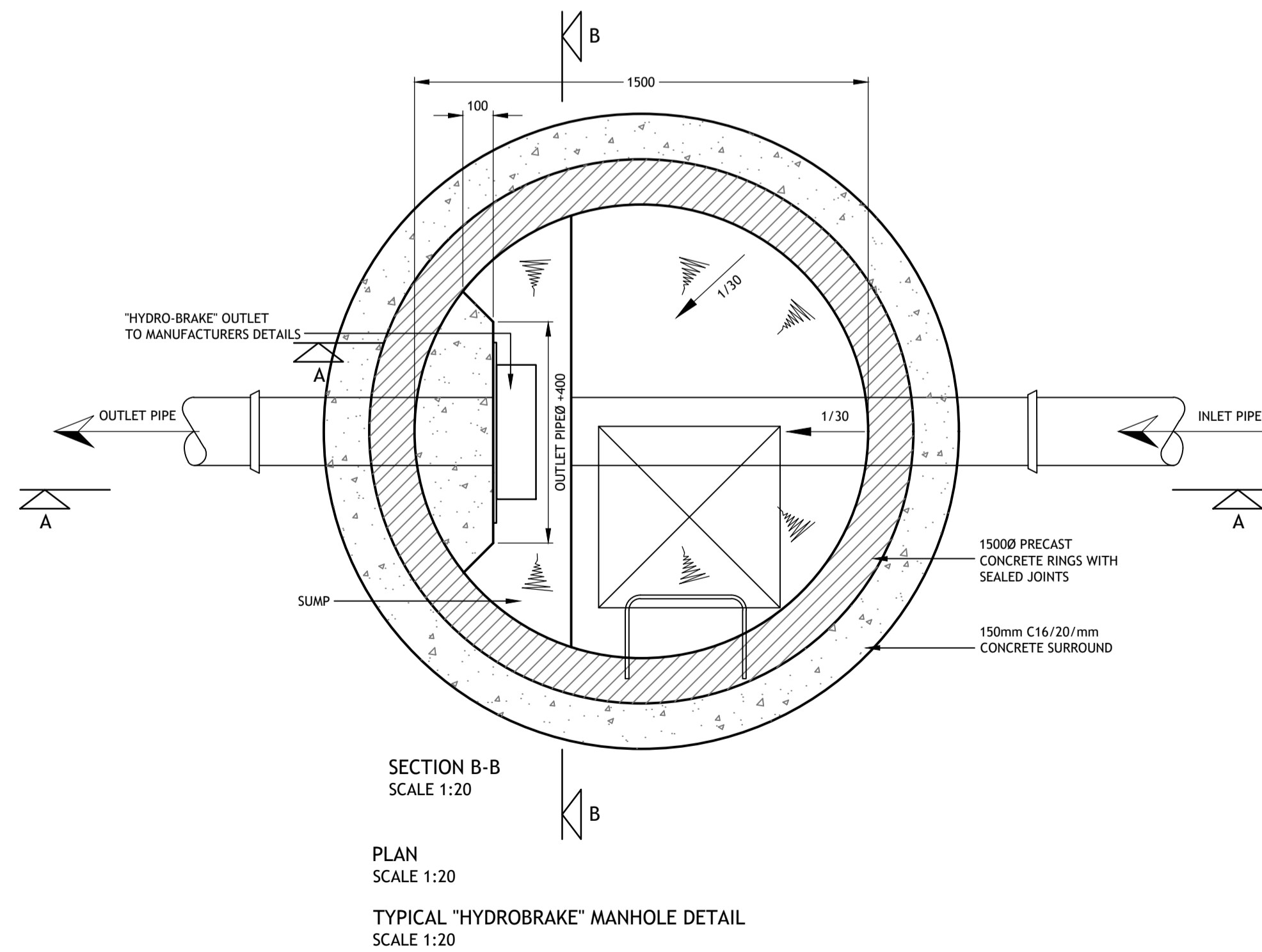
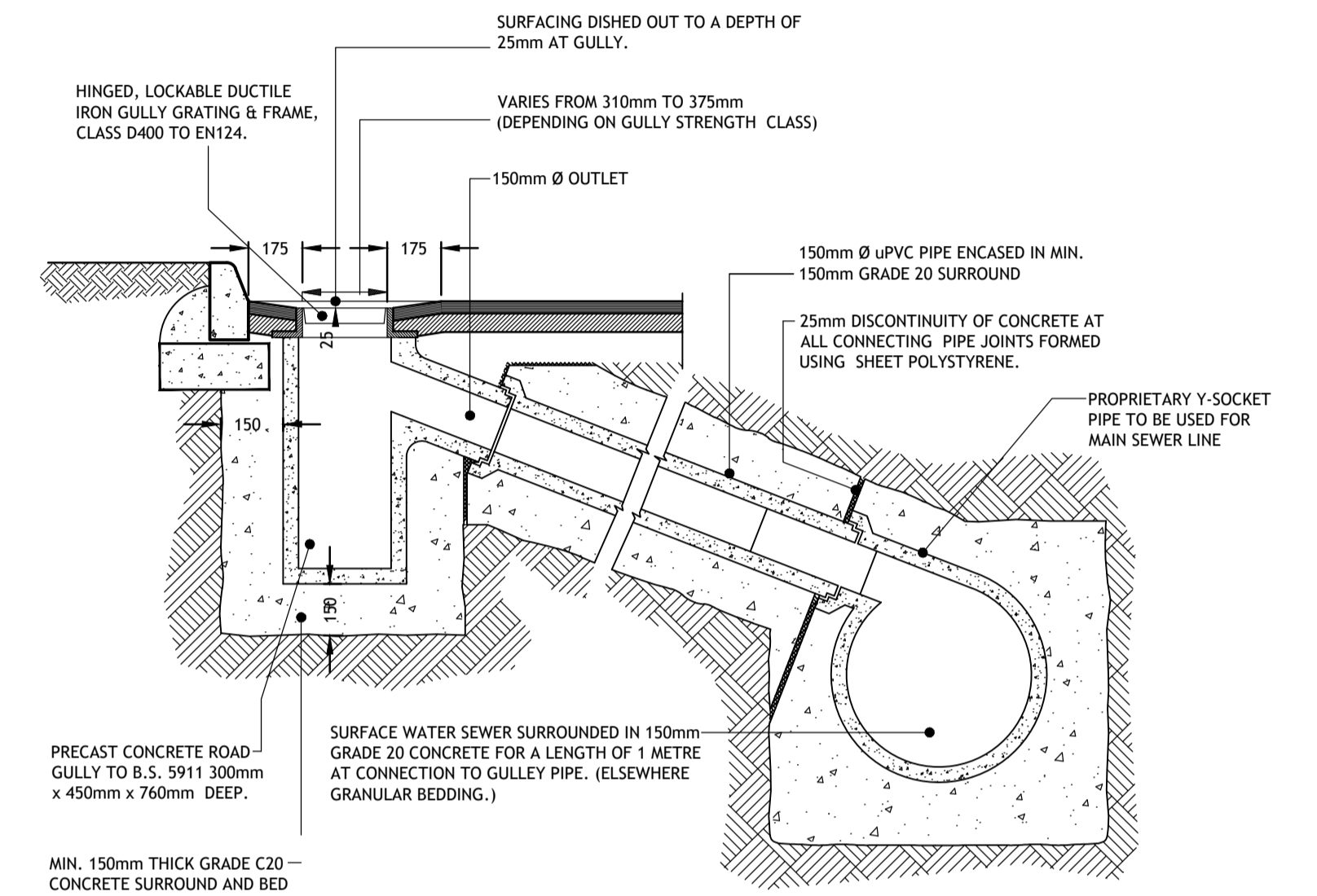


(\*) DIMENSION TO BE APPROVED BY HYDRO-BRAKE SUPPLIERS

SECTION A-A  
SCALE 1:20



SECTION B-B  
SCALE 1:20



NOTE: CONTRACTOR SHALL CARRY OUT 450mm x 450mm PLATE BEARING TESTS AT 500mm BELOW PROPOSED LEVEL OF THE ATTENUATION TANK BASE. THE CONTRACTOR SHALL SUBMIT CBR RESULTS TO EMPLOYER'S REPRESENTATIVE FOR REVIEW PRIOR TO PROCUREMENT OF GEOGRID AND EXCAVATION OF REMAINING GROUND.

© PUNCH Consulting Engineers

This drawing and any design hereon is the copyright of the Consultants and must not be reproduced without their written consent. All drawings remain the property of the Consultants. Figured dimension only to be taken from this drawing. Consultants to be informed immediately of any discrepancies before work proceeds.

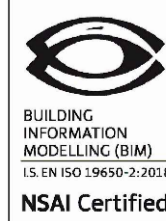
Date Drawn:

2021-01-07

Drawn By:

Colin O'Sullivan

Colour Drawing:



Rev	Amendment	By	Date
C01	ISSUED FOR PLANNING	DT	07/10/2022

Client:



Job Title: CLOVERHILL SOCIAL HOUSING DEVELOPMENT

Dwg Title: PROPOSED CONSTRUCTION DETAILS SHEET 4

Job No: 194191 Model Ref: CLO-PUNCH-XX-XX-M2-0503 Drawing Status: A0

Approved: David O'Donovan

Document No: CLO-PUNCH-XX-XX-DR-C-0503

Revision No: C01

Scale @ A1: 1:20  
 Technician Check: Shane Slattery  
 Engineer Check: Mike O'Connor  
 Approved: David O'Donovan  
 Document No: CLO-PUNCH-XX-XX-DR-C-0503  
 Revision No: C01

**PUNCH** consulting engineers  
 Dublin | Limerick | Cork | Galway | Glasgow  
 Elm Court, Boreenanna Road, Cork, T12 HHW2  
 IRL: +353 21 462 4000 www.punchconsulting.com