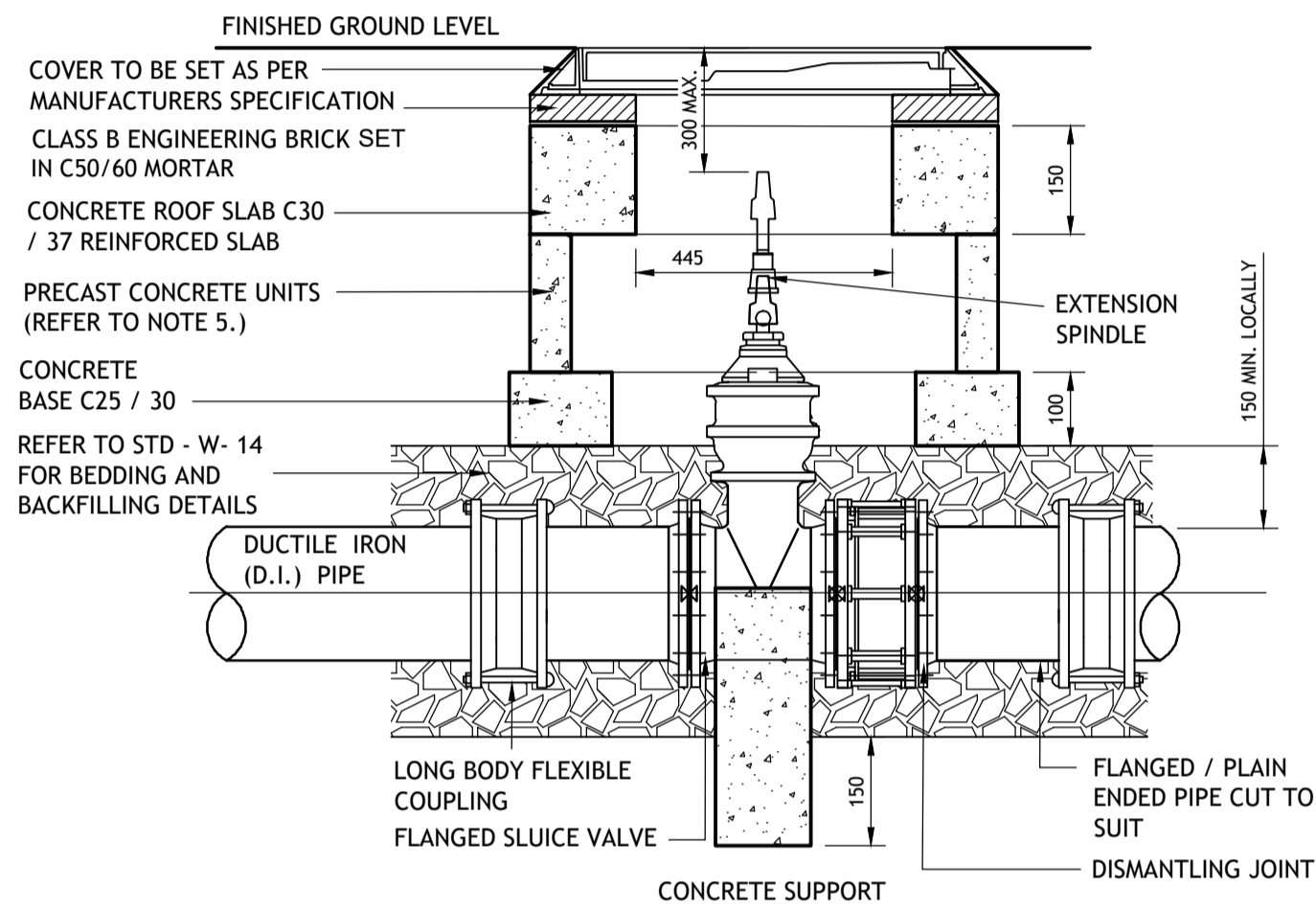
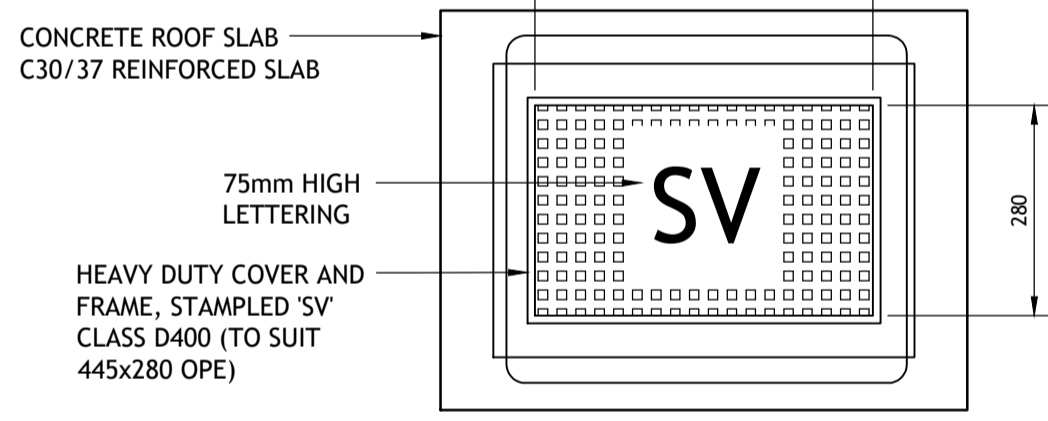


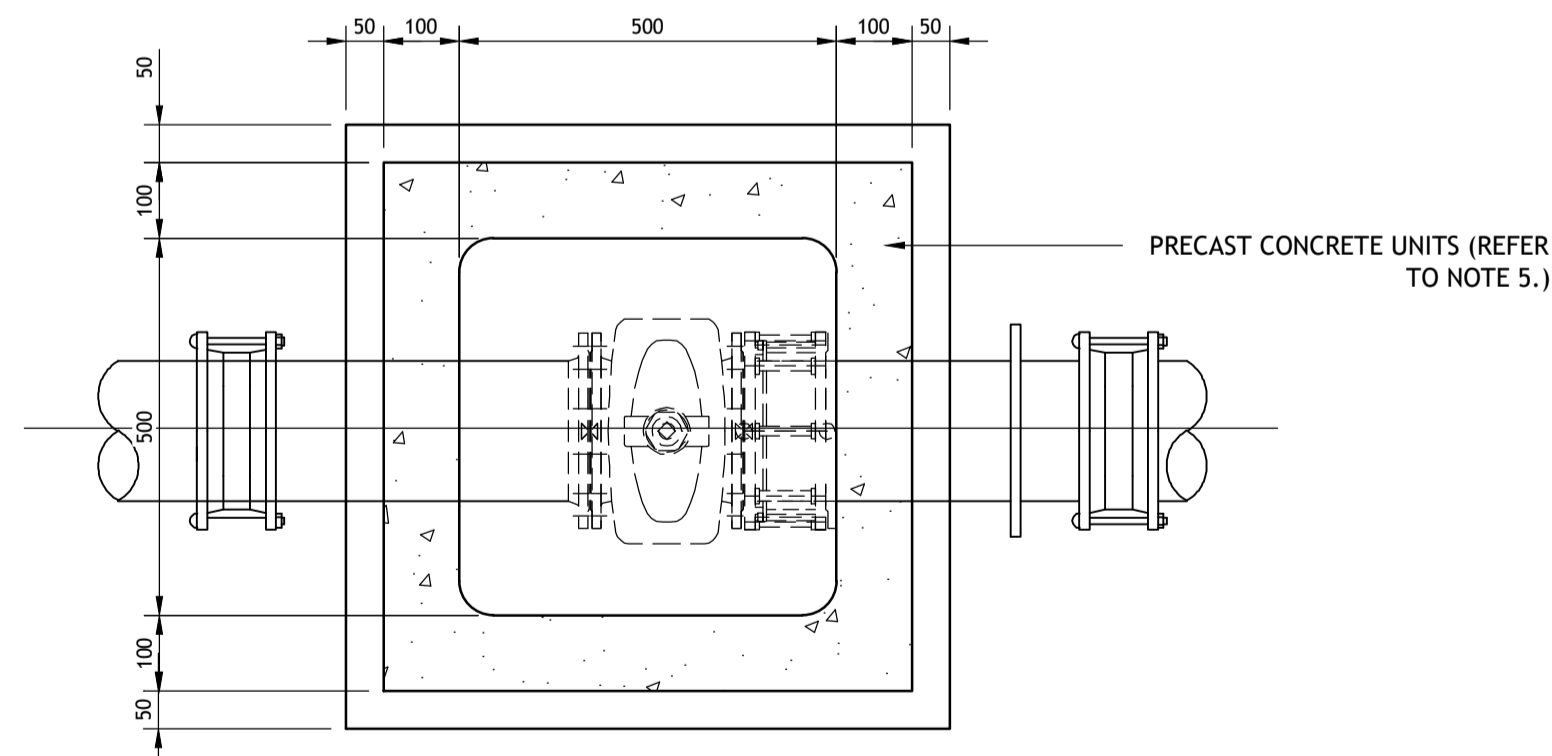
PLINTH DETAIL IN GRASS AREAS



SECTION



ROOF PLAN

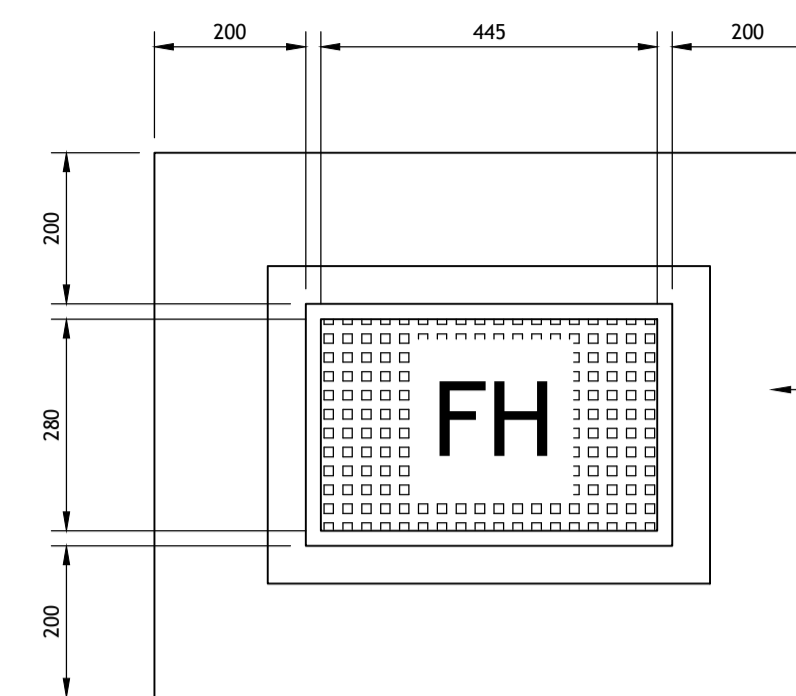


FLOOR PLAN

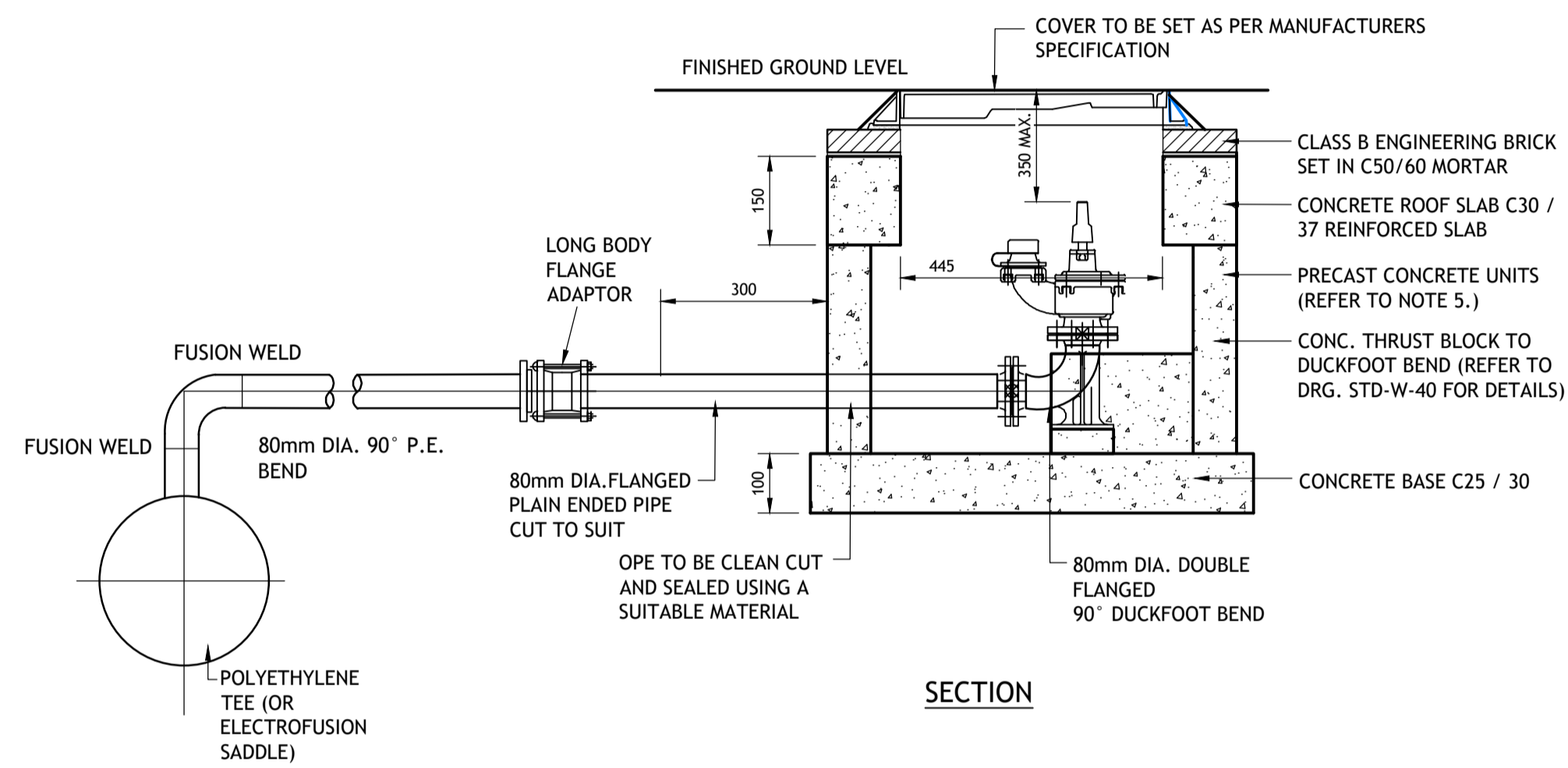
SLUICE VALVE CHAMBER (PRECAST CONCRETE CONSTRUCTION)

NOTES:

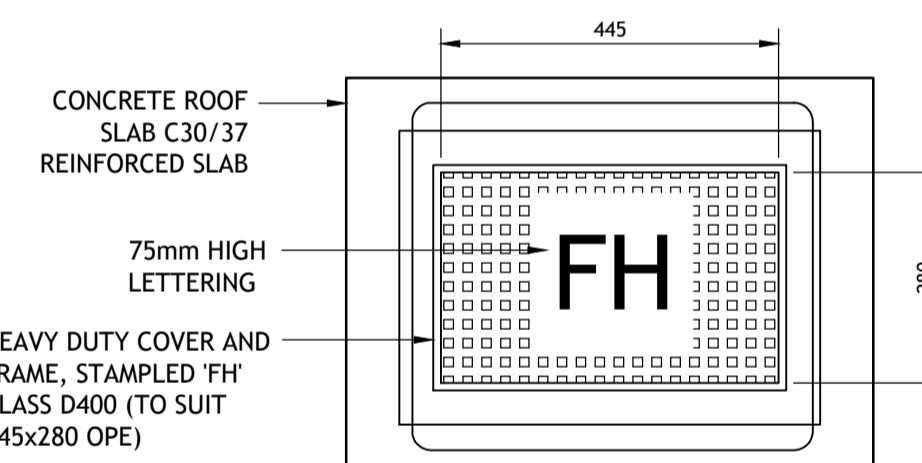
1. ALL DIMENSIONS IN MILLIMETRES (mm) UNLESS NOTED OTHERWISE.
2. HYDRANT CHAMBERS SHALL BE COVERED WITH APPROVED HEAVY DUTY METAL COVERS TO IS 261 AND BS 5834 COVER AND FRAME SHALL BE SUITABLE FOR ROAD AND TRAFFIC CONDITIONS AND IS SUBJECT TO THE APPROVAL OF IRISH WATER.
3. HYDRANTS SHALL BE DOUBLE FLANGED DRILLED TO PN 16. THEY SHALL COMPLY WITH BS 750: 2012. THE HYDRANT SHALL INCORPORATE A SCREW DOWN GATE VALVE, UNDERGROUND "GUIDE TO HEAD" TYPE WITH SCREW DOWN CONNECTION OUTLET AND FALSE SPINDLE CAP AND IRON CHAIN.
4. ALL HYDRANTS SHALL BE CLOCKWISE CLOSING.
5. HYDRANT CHAMBER TO BE CONSTRUCTED OF PRECAST CONCRETE UNITS OR HIGH DENSITY BLOCKWORK. ALTERNATIVELY PROPRIETARY PREFABRICATED CHAMBER UNITS MAY ALSO BE USED, SUBJECT TO APPROVAL FROM IRISH WATER.
6. CONCRETE CHAMBERS SHALL BE SURROUNDED BY A MINIMUM OF 150mm COMPACTED CLAUSE 804 MATERIAL AS PER STD-W-14.
7. DUCTILE IRON PIPES AND FITTINGS TO BE IN ACCORDANCE WITH IS EN 545.
8. 200mm ALL AROUND, 100mm DEEP CONCRETE PLINTH WITH PROTECTIVE STAINLESS STEEL METAL BAND AROUND COVERS IN GREEN AREAS.
9. THRUST BLOCKS (NOT SHOWN ON DRAWING), TO BE PROVIDED AS PER STANDARD DRAWING STD-W-40 AT ALL TEES, BENDS, TAPERS, DEAD ENDS AND PIPES AT STEEP SLOPES.
10. ANTI CORROSION TAPE TO BE PROVIDED AROUND BURIED FLANGES.
11. ALL CONCRETE TO BE IN ACCORDANCE WITH IS EN 206.



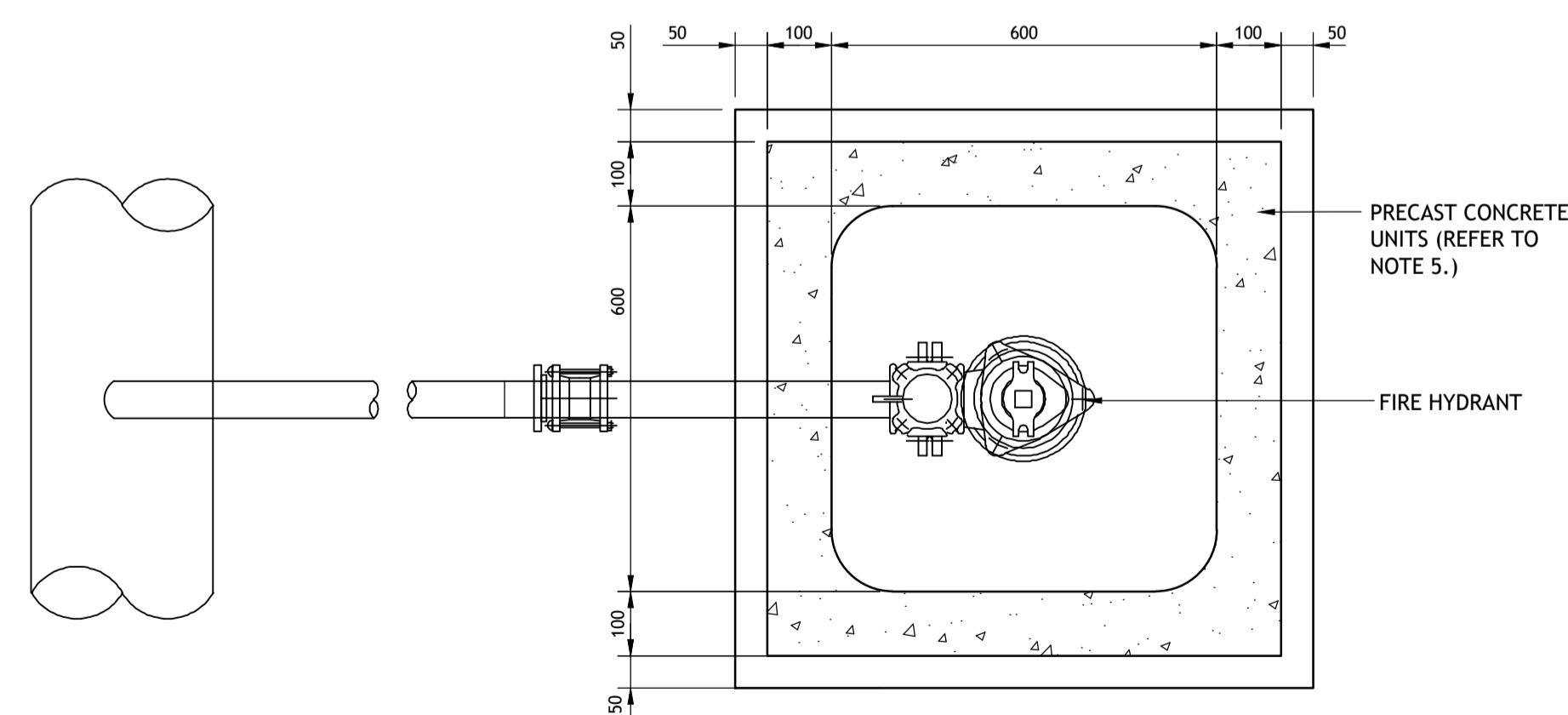
PLINTH DETAIL IN GRASS AREA



SECTION



ROOF PLAN



FLOOR PLAN

FIRE HYDRANT CHAMBER (PRECAST CONCRETE CONSTRUCTION)

NOTES:

1. ALL DIMENSIONS IN MILLIMETRES (mm) UNLESS NOTED OTHERWISE.
2. HYDRANT CHAMBERS SHALL BE COVERED WITH APPROVED HEAVY DUTY METAL COVERS TO IS 261 AND BS 5834 COVER AND FRAME SHALL BE SUITABLE FOR ROAD AND TRAFFIC CONDITIONS AND IS SUBJECT TO THE APPROVAL OF IRISH WATER.
3. HYDRANTS SHALL BE DOUBLE FLANGED DRILLED TO PN 16. THEY SHALL COMPLY WITH BS 750: 2012. THE HYDRANT SHALL INCORPORATE A SCREW DOWN GATE VALVE, UNDERGROUND "GUIDE TO HEAD" TYPE WITH SCREW DOWN CONNECTION OUTLET AND FALSE SPINDLE CAP AND IRON CHAIN.
4. ALL HYDRANTS SHALL BE CLOCKWISE CLOSING.
5. HYDRANT CHAMBER TO BE CONSTRUCTED OF PRECAST CONCRETE UNITS OR HIGH DENSITY BLOCKWORK. ALTERNATIVELY PROPRIETARY PREFABRICATED CHAMBER UNITS MAY ALSO BE USED, SUBJECT TO APPROVAL FROM IRISH WATER.
6. CONCRETE CHAMBERS SHALL BE SURROUNDED BY A MINIMUM OF 150mm COMPACTED CLAUSE 804 MATERIAL AS PER STD-W-14.
7. DUCTILE IRON PIPES AND FITTINGS TO BE IN ACCORDANCE WITH IS EN 545.
8. 200mm ALL AROUND, 100mm DEEP CONCRETE PLINTH WITH PROTECTIVE STAINLESS STEEL METAL BAND AROUND COVERS IN GREEN AREAS.
9. THRUST BLOCKS (NOT SHOWN ON DRAWING), TO BE PROVIDED AS PER STANDARD DRAWING STD-W-40 AT ALL TEES, BENDS, TAPERS, DEAD ENDS AND PIPES AT STEEP SLOPES.
10. ANTI CORROSION TAPE TO BE PROVIDED AROUND BURIED FLANGES.
11. ALL CONCRETE TO BE IN ACCORDANCE WITH IS EN 206.
12. TEE BRANCH: DEPTH OF TAKE-OFF PIPEWORK < 900mm, TAKE-OFF TEE MAY BE ROTATED TO ENSURE MIN. DEPTH OF COVER IS MAINTAINED, OR ALTERNATIVELY, PROVIDE PROTECTION TO TAKE-OFF PIPE.

Rev	Amendment	By	Date
C01	ISSUED FOR PLANNING	DT	07/10/2022