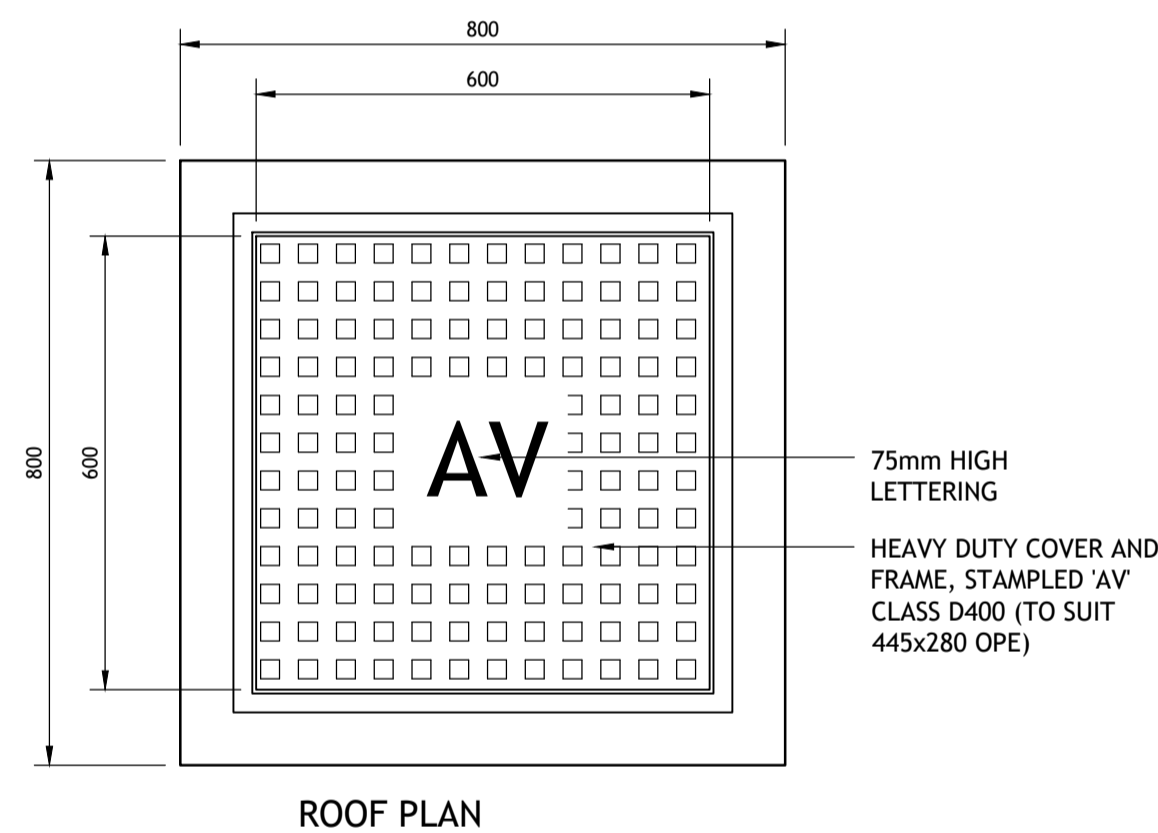
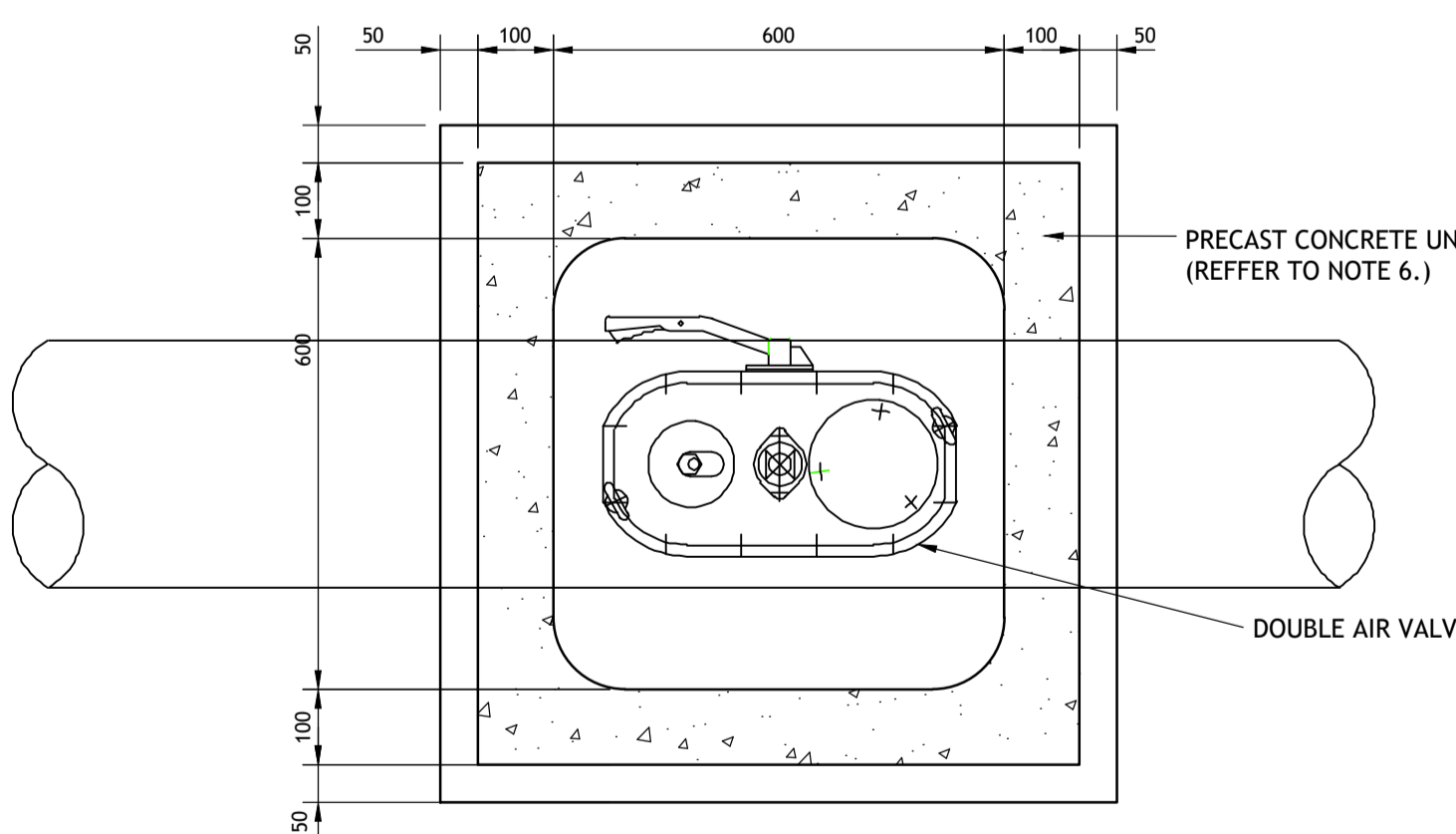


SECTION



ROOF PLAN



FLOOR PLAN

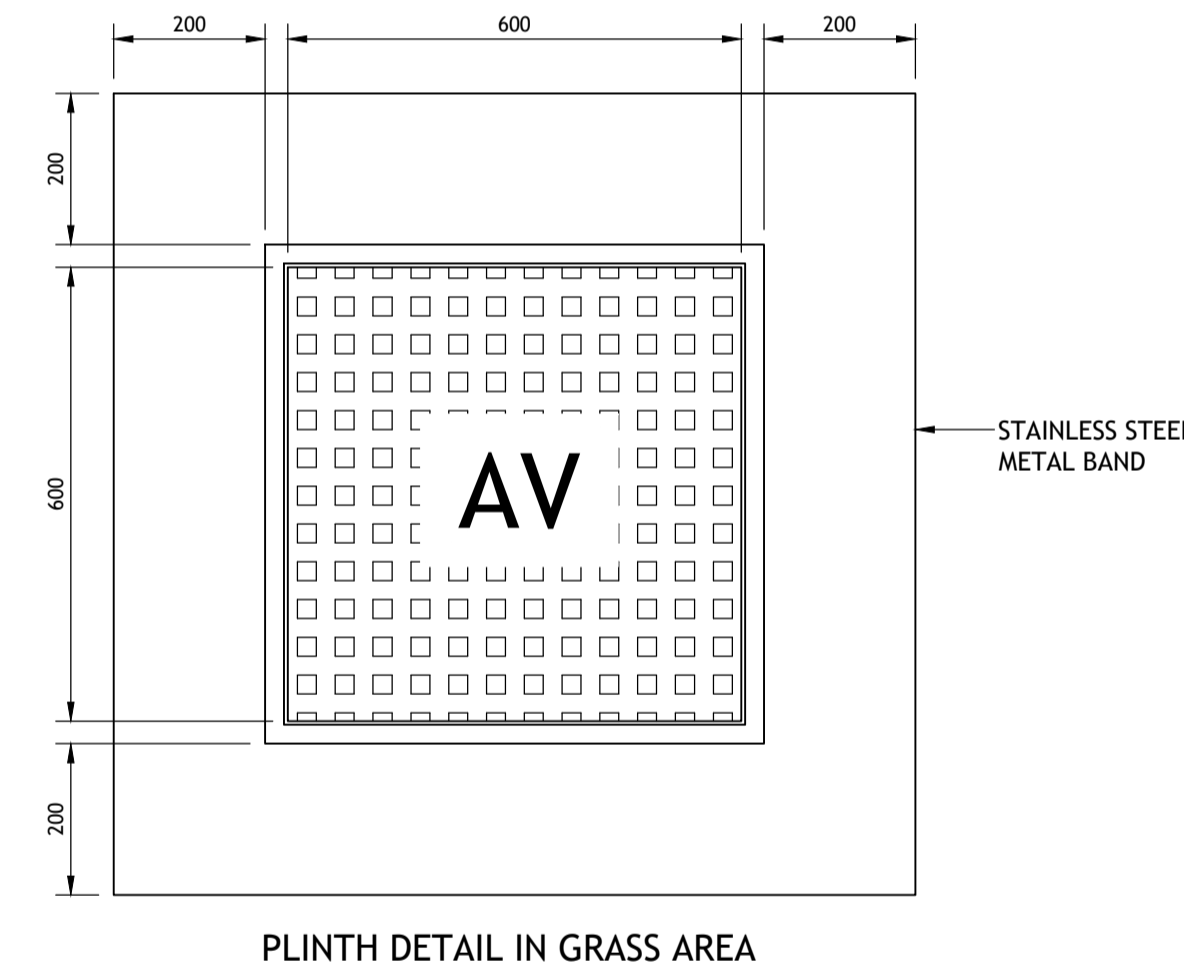
DOUBLE AIR VALVE (PRECAST CONCRETE CONSTRUCTION)

SCALE 1:10

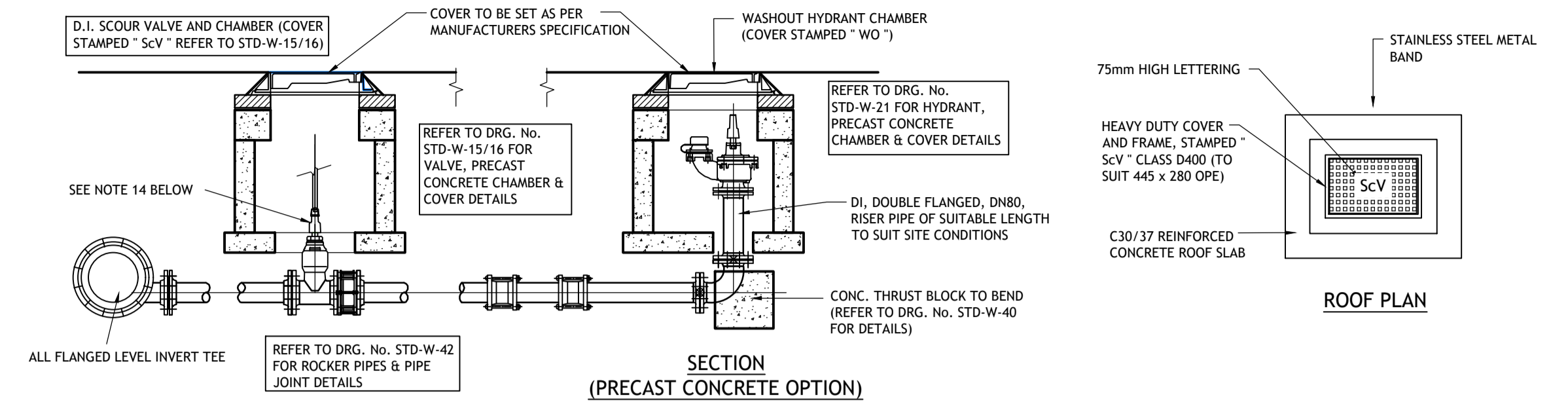
NOTES:

1. ALL DIMENSIONS IN MILLIMETRES (mm) UNLESS NOTED OTHERWISE.
2. AIR VALVE CHAMBERS SHALL BE COVERED WITH APPROVED VENTILATED HEAVY DUTY METAL COVERS TO IS EN 124: 1994 RATING D400. COVER AND FRAME SHALL BE SUITABLE FOR ROAD AND TRAFFIC CONDITIONS AND IS SUBJECT TO THE APPROVAL OF IRISH WATER.
3. AIR VALVES SHALL BE DOUBLE AIR VALVE TYPE WITH ISOLATING VALVE IN ACCORDANCE WITH THE REQUIREMENTS OF IS EN 1074. THE ISOLATING VALVE SHALL BE A RESILIENT SEATED GATE VALVE TO IS EN 1074 AND SHALL BE OF A BOLTLESS BONNET DESIGN.
4. THE AIR VALVES SHALL HAVE BODIES AND COVERS OF CAST IRON TO BS 1561 WITH FLANGES DRILLED TO PN 16 IN ACCORDANCE WITH BS EN 1092-1. EACH VALVE SHALL HAVE A LARGE AND A SMALL AIR ESCAPE ORIFICE WITH AN ISOLATING VALVE.
5. SERVICE CONNECTIONS SHALL NOT BE PROVIDED WITHIN 2m OF THE AIR VALVE LOCATION.
6. AIR VALVE CHAMBERS TO BE OF PRECAST CONCRETE UNITS OR HIGH DENSITY BLOCKWORK. ALTERNATIVE PROPRIETARY PREFABRICATED CHAMBER UNITS MAY ALSO BE USED, SUBJECT TO APPROVAL FROM IRISH WATER.
7. PRECAST CONCRETE CHAMBERS SHALL BE SURROUNDED BY A MINIMUM OF 150mm COMPACTED CLAUSE 804 MATERIAL AS PER STD-W-14.
8. DUCTILE IRON PIPES AND FITTINGS TO BE IN ACCORDANCE WITH IS EN 545.
9. 200mm ALL AROUND, 100mm DEEP CONCRETE PLINTH WITH PROTECTIVE STAINLESS STEEL METAL BAND AROUND COVERS IN GRASS AREAS.
10. THRUST BLOCKS (NOT SHOWN ON DRAWING), TO BE PROVIDED AS PER STANDARD DRAWING STD-W-40 AT ALL TEES, BENDS, TAPERS, DEAD ENDS AND PIPES AT STEEP SLOPES.
11. ANTI CORROSION TAPE TO BE PROVIDED AROUND BURIED FLANGES.
12. THE LOCATION OF THE AIR VALVE SHALL BE THE SUBJECT OF PARTICULAR AGREEMENT WITH IRISH WATER TO ENSURE THAT THE RISK OF CONTAMINATION THROUGH THE VALVE IS ELIMINATED.
13. ALL CONCRETE TO BE IN ACCORDANCE WITH IS EN 206.

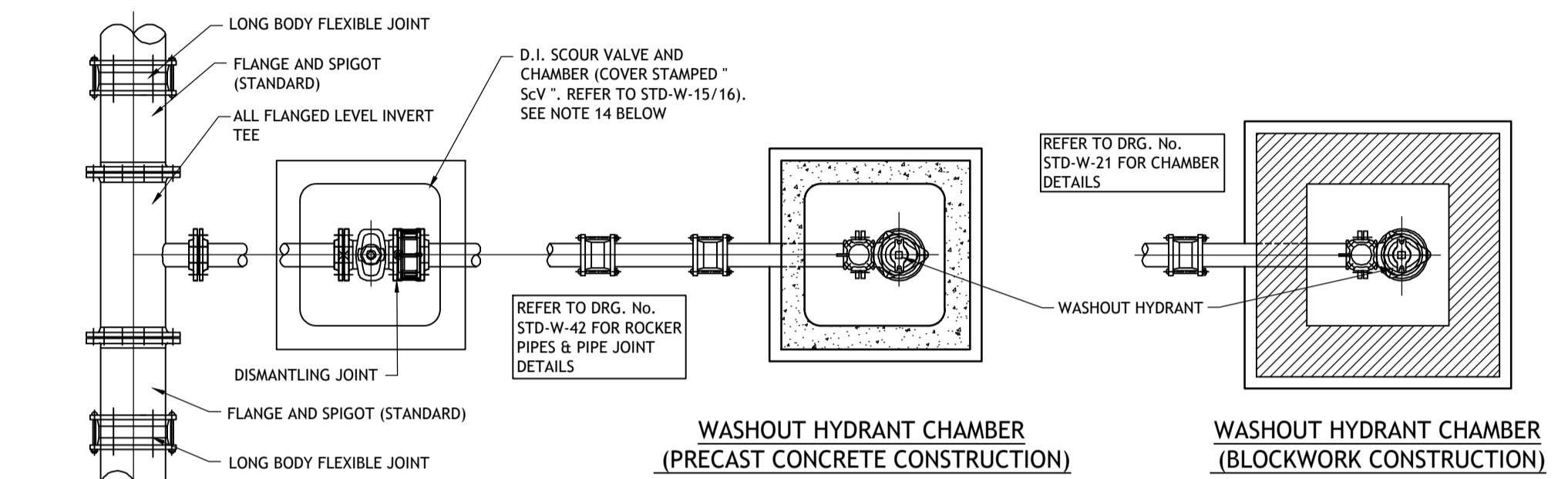
DIAMETER OF MAIN	UP TO 250 (mm)	250 TO 350 (mm)
DIAMETER OF BRANCH	80mm	100mm
BORE OF VALVE INLET	80mm	100mm



PLINTH DETAIL IN GRASS AREA

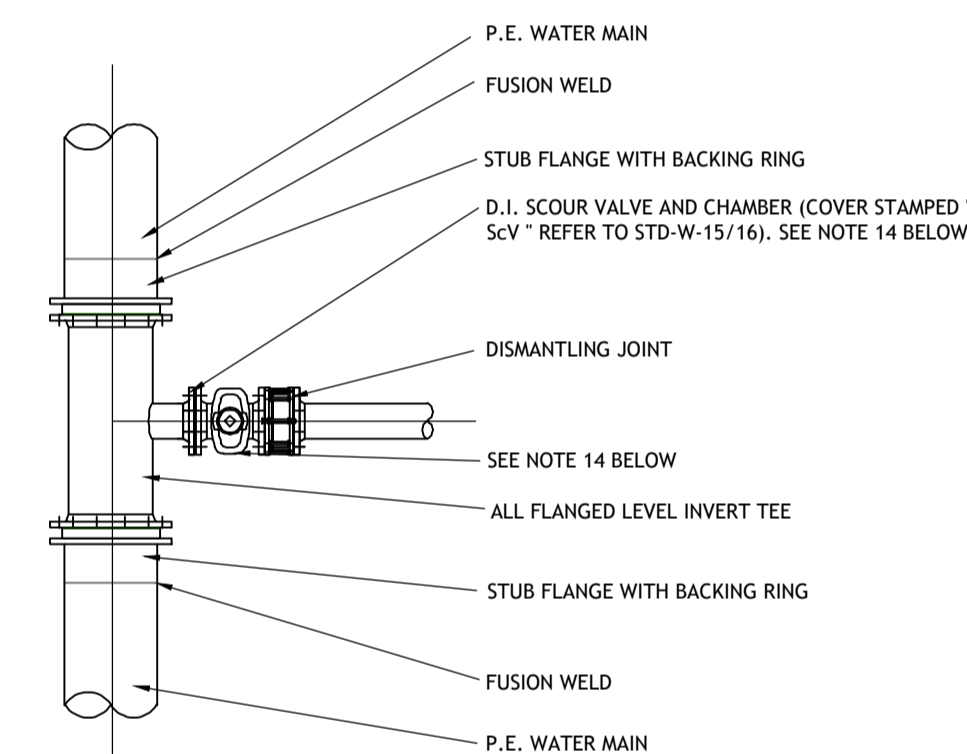


SECTION (PRECAST CONCRETE OPTION)



WASHOUT HYDRANT CHAMBER (PRECAST CONCRETE CONSTRUCTION)

WASHOUT HYDRANT CHAMBER (BLOCKWORK CONSTRUCTION)



PLAN (PE WATERMAIN)

SCALE 1:25

1. ALL DIMENSIONS ARE IN MILLIMETRES (mm) UNLESS NOTED OTHERWISE.
2. STRUCTURAL REINFORCEMENT AND DESIGN DETAIL TO BE PROVIDED BY THE DEVELOPER AND SUBMITTED TO IRISH WATER FOR REVIEW.
3. HYDRANT CHAMBERS SHALL BE COVERED WITH APPROVED HEAVY DUTY METAL COVERS TO IS 261 AND BS 5834 COVER AND FRAME SHALL BE SUITABLE FOR ROAD AND TRAFFIC CONDITIONS AND IS SUBJECT TO THE APPROVAL OF IRISH WATER.
4. HYDRANTS SHALL BE DOUBLE FLANGED DRILLED TO PN 16. THEY SHALL COMPLY WITH BS 750: 2012. THE HYDRANT SHALL INCORPORATE A SCREW DOWN GATE VALVE, UNDERGROUND "GUIDE TO HEAD" TYPE WITH SCREW DOWN CONNECTION OUTLET AND FALSE SPINDLE CAP AND IRON CHAIN.
5. ALL HYDRANTS SHALL BE CLOCKWISE CLOSING.
6. HYDRANT CHAMBER & SCOUR VALVE CHAMBER TO BE CONSTRUCTED OF PRECAST CONCRETE UNITS OR HIGH DENSITY BLOCKWORK. ALTERNATIVE PROPRIETARY PREFABRICATED CHAMBER UNITS MAY ALSO BE USED, SUBJECT TO APPROVAL FROM IRISH WATER.
7. CONCRETE CHAMBERS SHALL BE SURROUNDED BY A MINIMUM OF 150mm COMPACTED CLAUSE 804 MATERIAL AS PER STD-W-13.
8. 200mm ALL AROUND, 100mm DEEP CONCRETE PLINTH WITH PROTECTIVE STAINLESS STEEL METAL BAND AROUND COVERS IN GRASS AREAS.
9. THRUST BLOCKS (NOT SHOWN ON DRAWING), TO BE PROVIDED AS PER STANDARD DRAWING STD-W-40 AT ALL TEES, BENDS, TAPERS, DEAD ENDS PIPES AT STEEP SLOPES.
10. ANTI CORROSION TAPE TO BE PROVIDED AROUND BURIED FLANGES.
11. ALL PIPEWORK AND FITTINGS FOR WASHOUT HYDRANT CHAMBER CONNECTION SHALL BE DUCTILE IRON. PIPES AND FITTINGS ON MAIN LINE SHALL BE: PE PIPES & FITTINGS IN ACCORDANCE WITH IS EN 12201:2011, OR DUCTILE IRON PIPES AND FITTINGS IN ACCORDANCE WITH IS EN 545.
12. ALL CHAMBERS TO BE CHECKED FOR UPLIFT BY THE DEVELOPER BASED ON GROUND CONDITIONS WITHIN THE SITE. SHOULD ANTI FLOATATION MEASURES BE REQUIRED THEY SHALL BE SUBJECT TO AGREEMENT WITH IRISH WATER.
13. ALL CONCRETE TO BE IN ACCORDANCE WITH IS EN 206.
14. WHERE HYDRANTS ARE INSTALLED ON TRUNK MAINS OR PRINCIPAL MAINS, A SEPARATE SCOUR VALVE IS REQUIRED. THE PURPOSE OF THE SCOUR VALVE IS TO ISOLATE THE WASHOUT HYDRANT FOR MAINTENANCE PURPOSES & ALSO TO REDUCE THE VELOCITY OF THE DISCHARGE FLOW WHERE HIGH HEAD VALUES ARE CONCERNED. A "SANDWICH" OR "SPADE" VALVE MAY BE USED IN LIEU OF A SEPARATE SCOUR VALVE, SUBJECT TO PRIOR APPROVAL BY IRISH WATER.

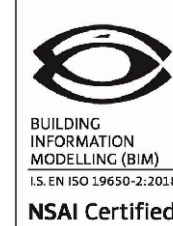
© PUNCH Consulting Engineers

This drawing and any design hereon is the copyright of the Consultants and must not be reproduced without their written consent. All drawings remain the property of the Consultants. Figured dimension only to be taken from this drawing. Consultants to be informed immediately of any discrepancies before work proceeds.

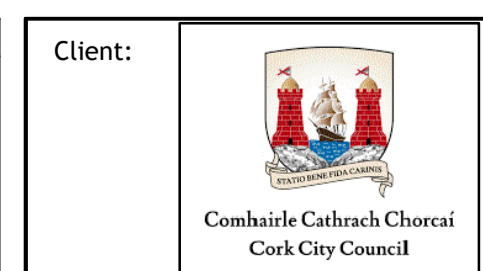
Date Drawn: 2021-01-07

Drawn By: Colin O'Sullivan

Colour Drawing:



Rev	Amendment	By	Date
C01	ISSUED FOR PLANNING	DT	07/10/2022



Job Title: CLOVERHILL SOCIAL HOUSING DEVELOPMENT
 Dwg Title: PROPOSED CONSTRUCTION DETAILS SHEET 6
 Job No: 194191 Model Ref: CLO-PUNCH-XX-XX-M2-0526 Drawing Status: A0
 Dublin | Limerick | Cork | Galway | Glasgow
 Elm Court, Boreenmanna Road, Cork, T12 HHW2
 IRL: +353 21 462 4000 www.punchconsulting.com
 Scale @ A1: 1:500
 Technician Check: Shane Slattery
 Engineer Check: Mike O'Connor
 Approved: David O'Donovan
 Document No: CLO-PUNCH-XX-XX-DR-C-0526
 Revision No: C01